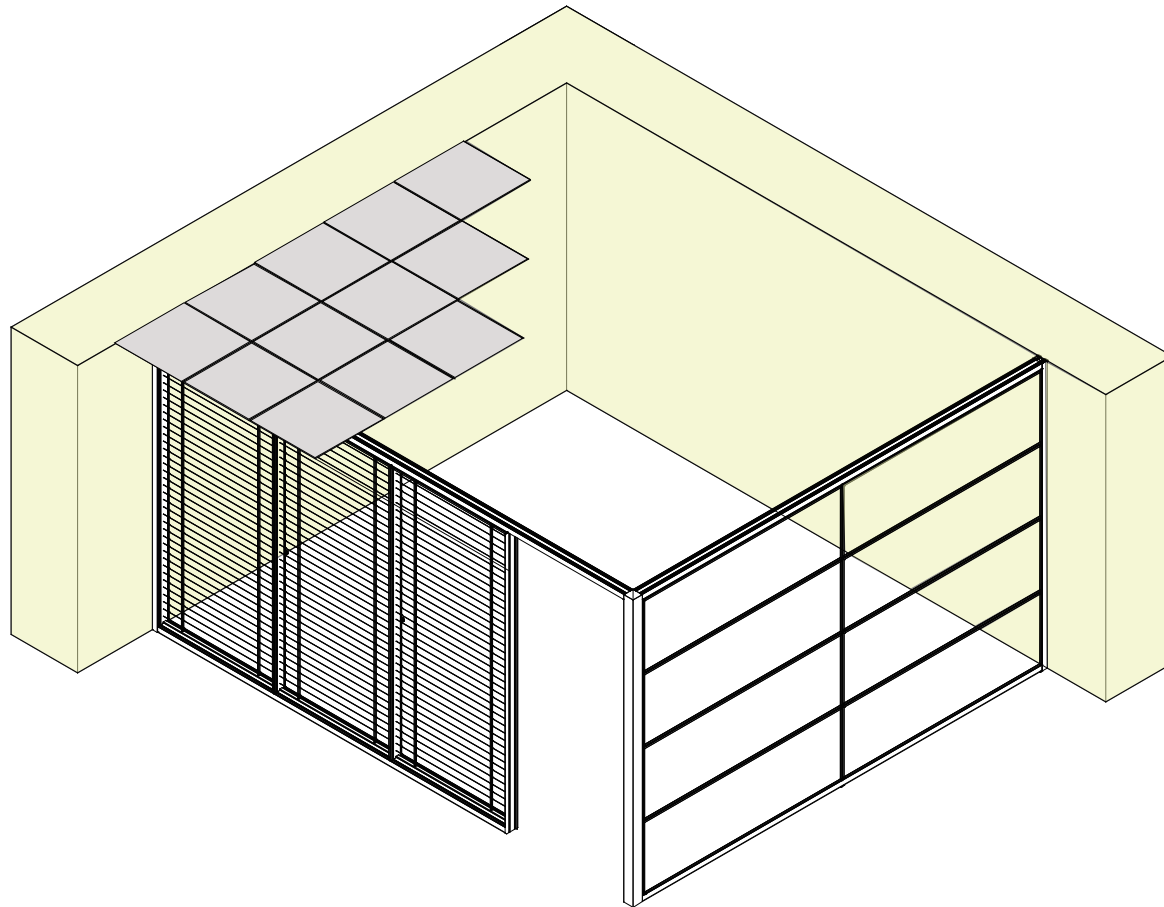




## 800 Series Installation Instructions



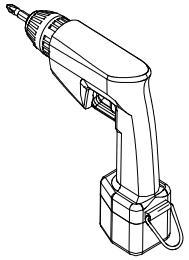
Scan the QR code to watch the YouTube tutorial!

Vension No:20130815

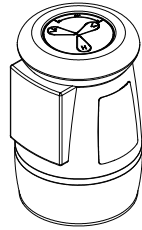
# Contents

<b>1 Toolings</b> .....	1
<b>2 Components</b> .....	1
<b>3 Components installation</b> .....	1
<b>Typical 1: Partition up to ceiling</b> .....	1
3.1 Wall starter installation & vertical adjustment .....	2
3.2 Top and bottom groove installation & vertical adjustment .....	2-3
3.3 Corner pole installation .....	4
3.4 Horizontal panels connection .....	4-5
3.5 Vertical panels connection .....	6-7
3.6 Blind installation .....	7-8
<b>Typical 2: Partitions not up to ceiling</b> .....	9
<b>4 Door Illustration</b> .....	9
4.1 Wood swing door illustration .....	10-17
4.2 Glass swing door illustration .....	18-20
4.3 Glass sliding door illustration .....	21-23

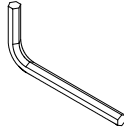
# 1 Toolings



Electric drill



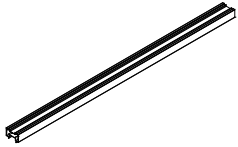
Gradienter



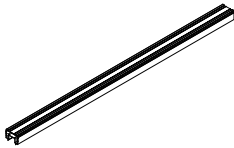
Allen key

# 2 Components

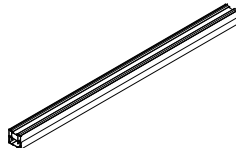
Wall starter



Ceiling connection



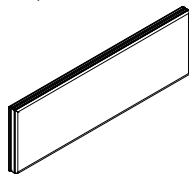
Bottom connection



Vertical panel



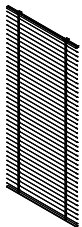
Horizontal panel



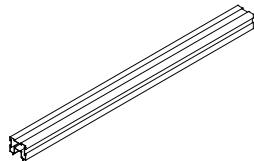
Corner pole



Blind



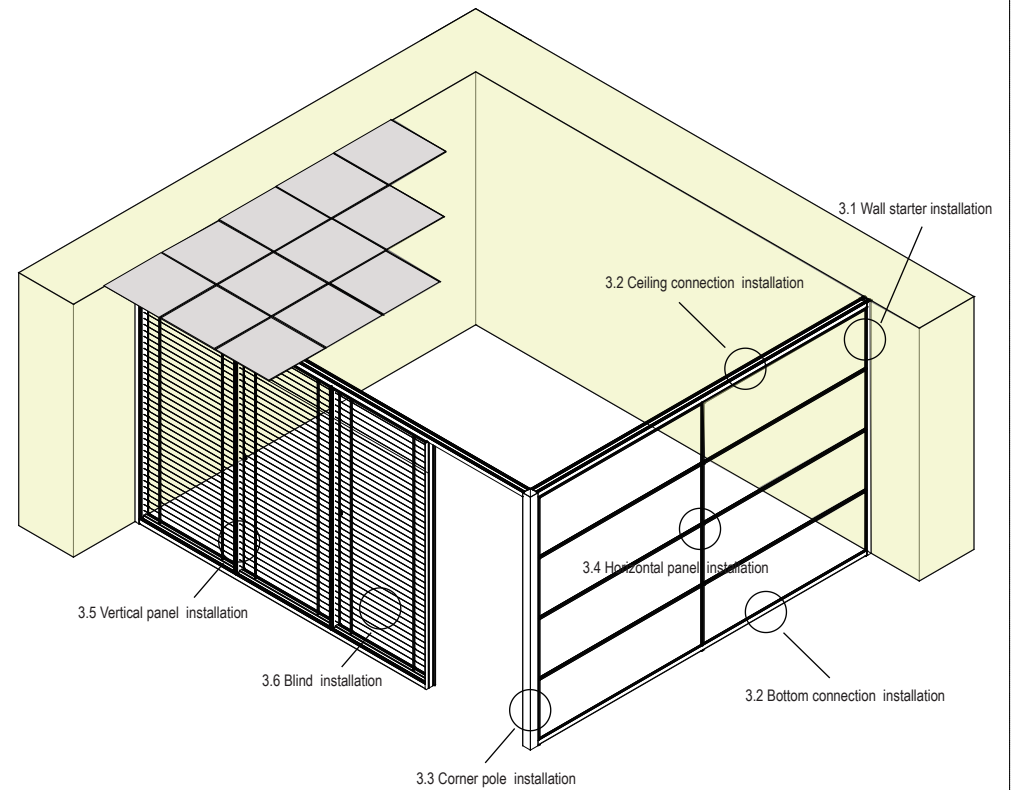
Top bar



# 3 Component installation

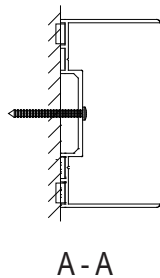
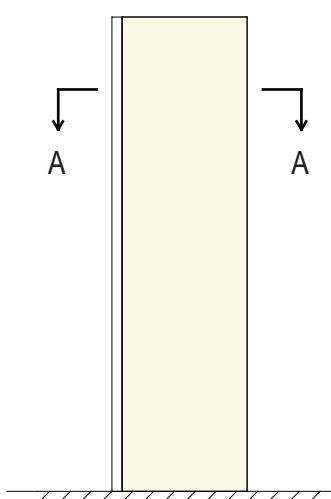
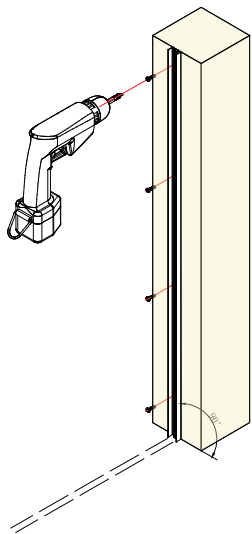
Typical room :

Typical 1: Partition up to ceiling

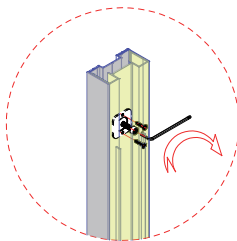
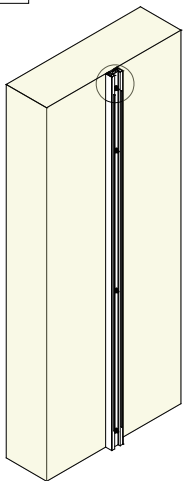


### 3.1 Wall starter installation & vertical adjustment

1



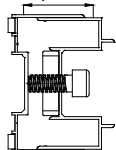
2



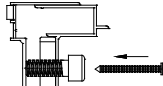
3

Regulate the vertical adjusting pole to the vertical position by the M8\*30 bolt, and fix it with the side groove by self-tapping screw.

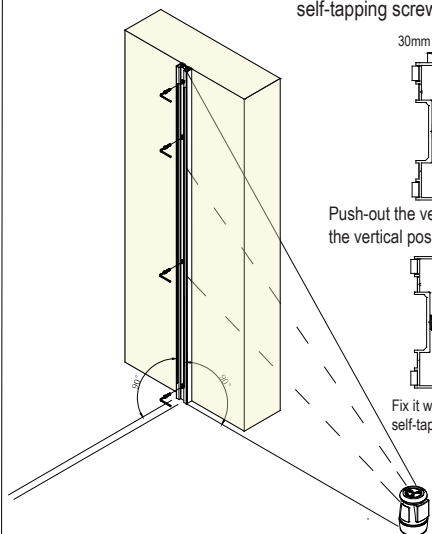
30mm adjustable distance



Push-out the vertical adjusting pole to the vertical position by the M8\*30 bolt.

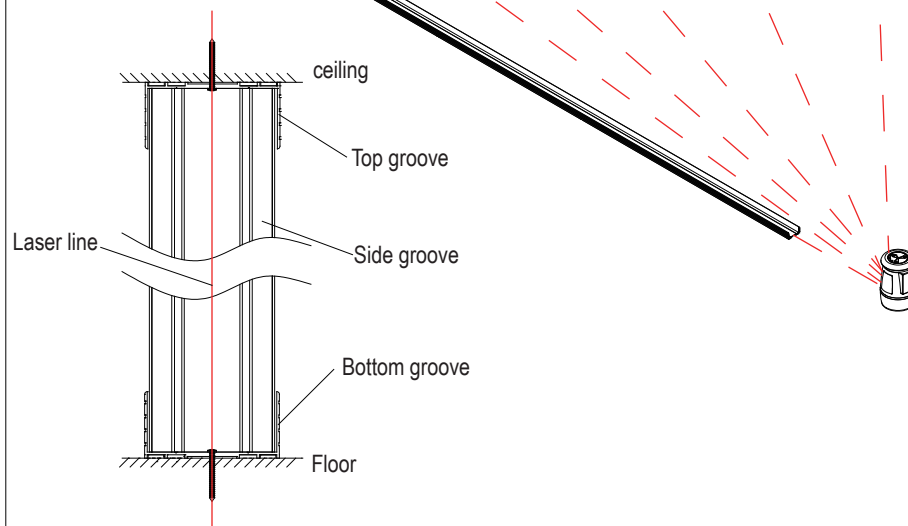
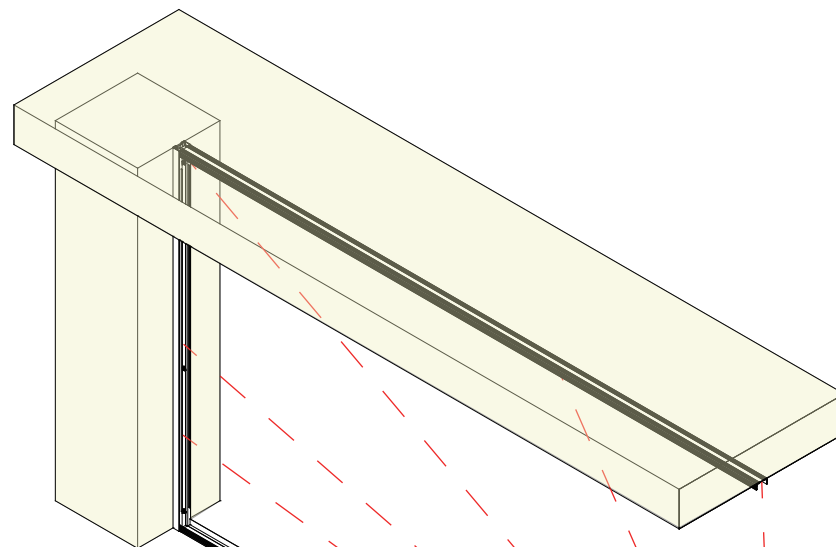


Fix it with side groove section by self-tapping screw.



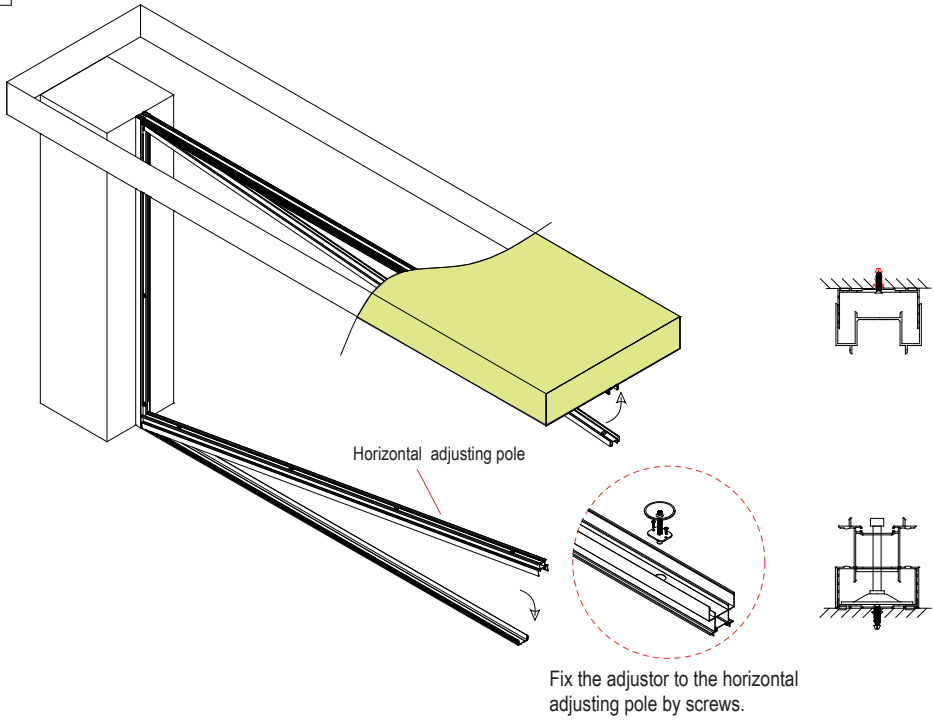
### 3.2 Top and bottom groove installation & vertical

1

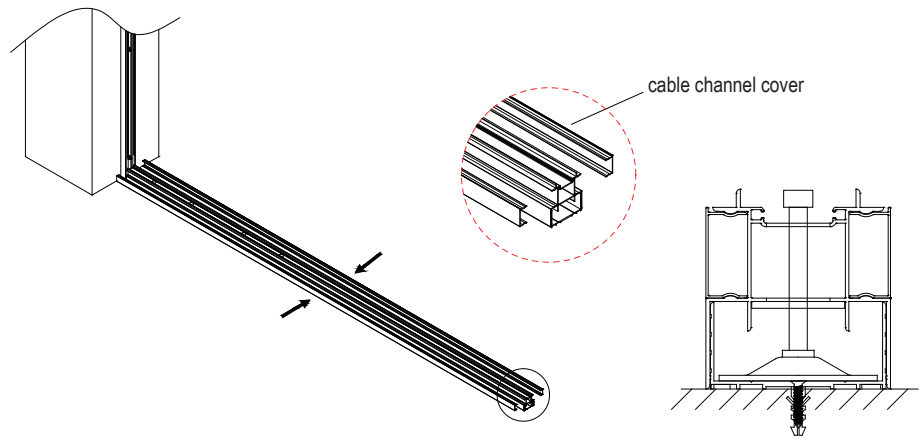


Vertical adjusting pole should be same center line with top and bottom groove.

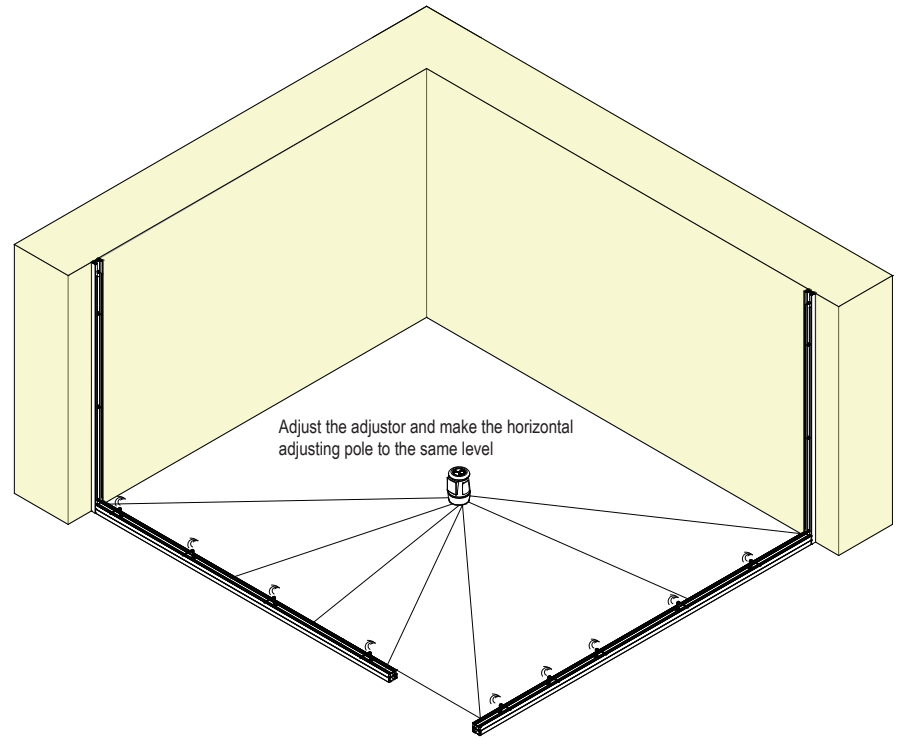
2



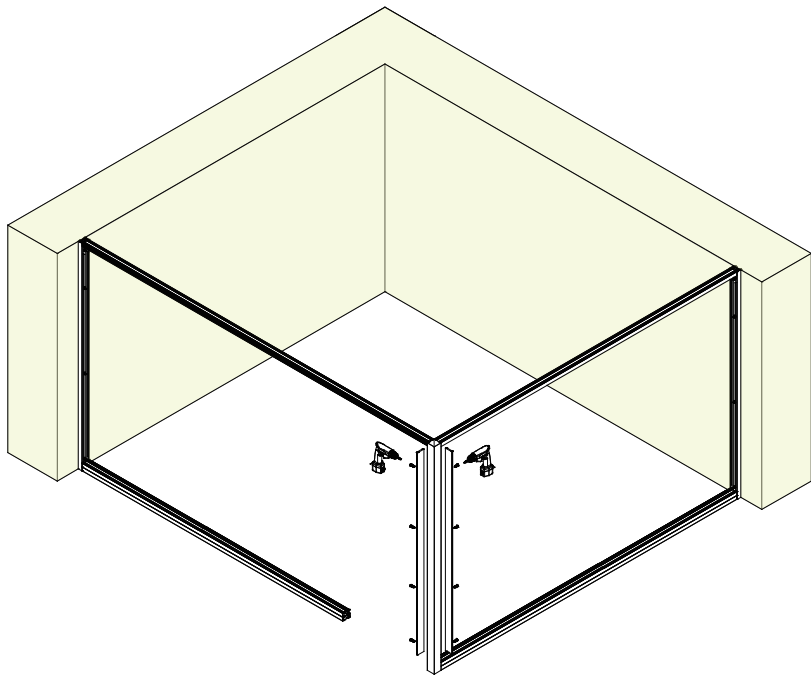
3



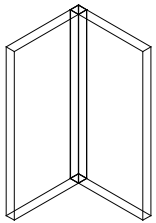
4



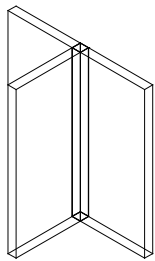
### 3.3 Corner pole installation



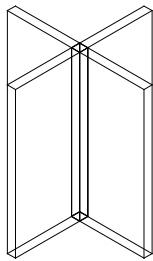
Different corner pole



2 ways connection system



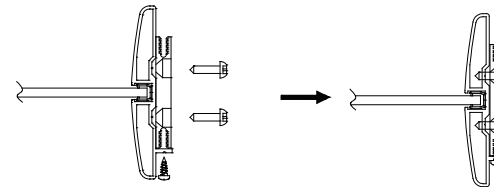
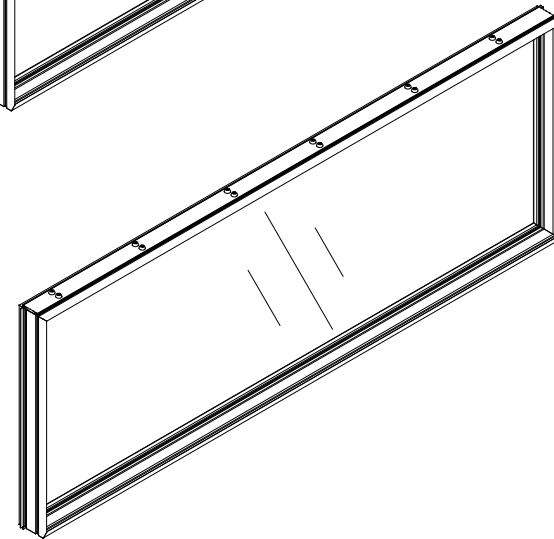
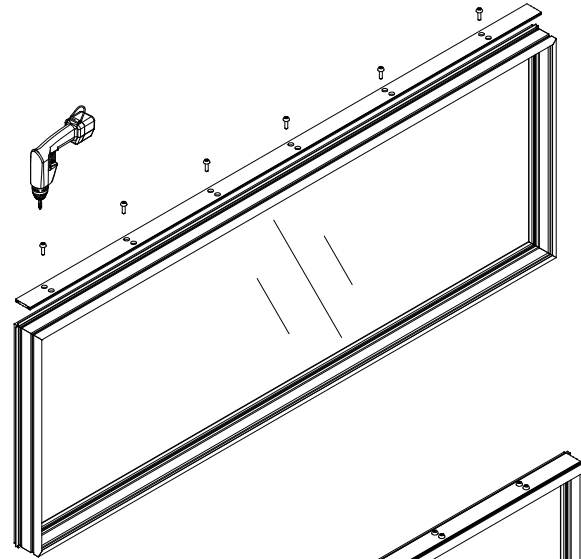
3 ways connection system



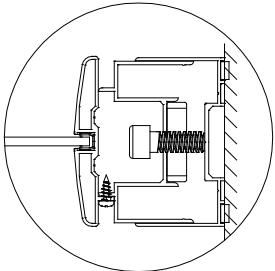
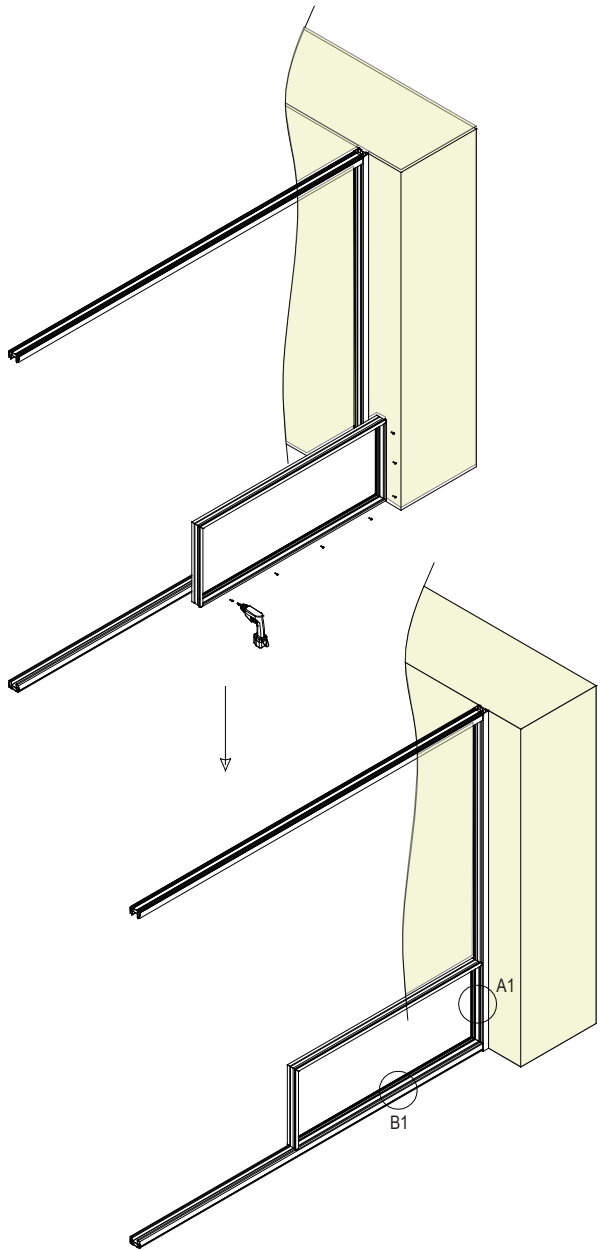
4 ways connection system

### 3.4 Horizontal panels connection

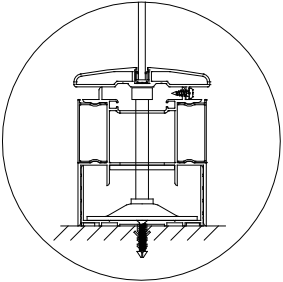
1



2

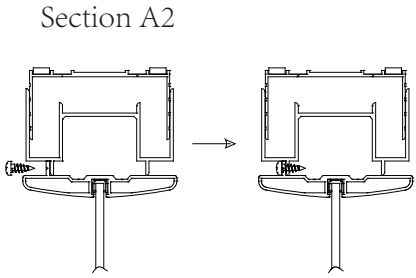
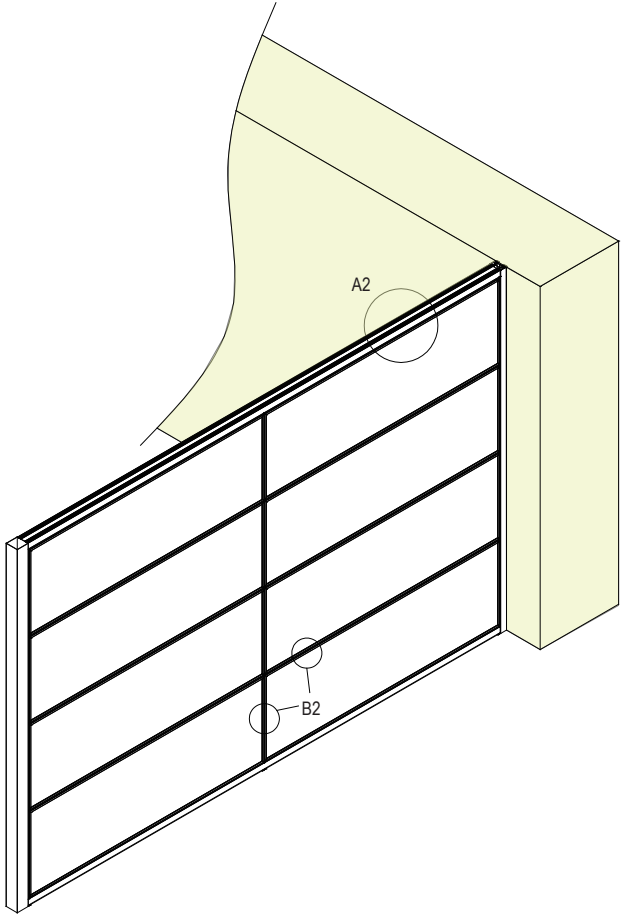


Section A1

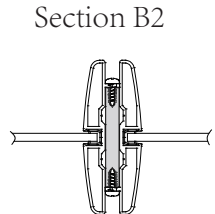


Section B1

3



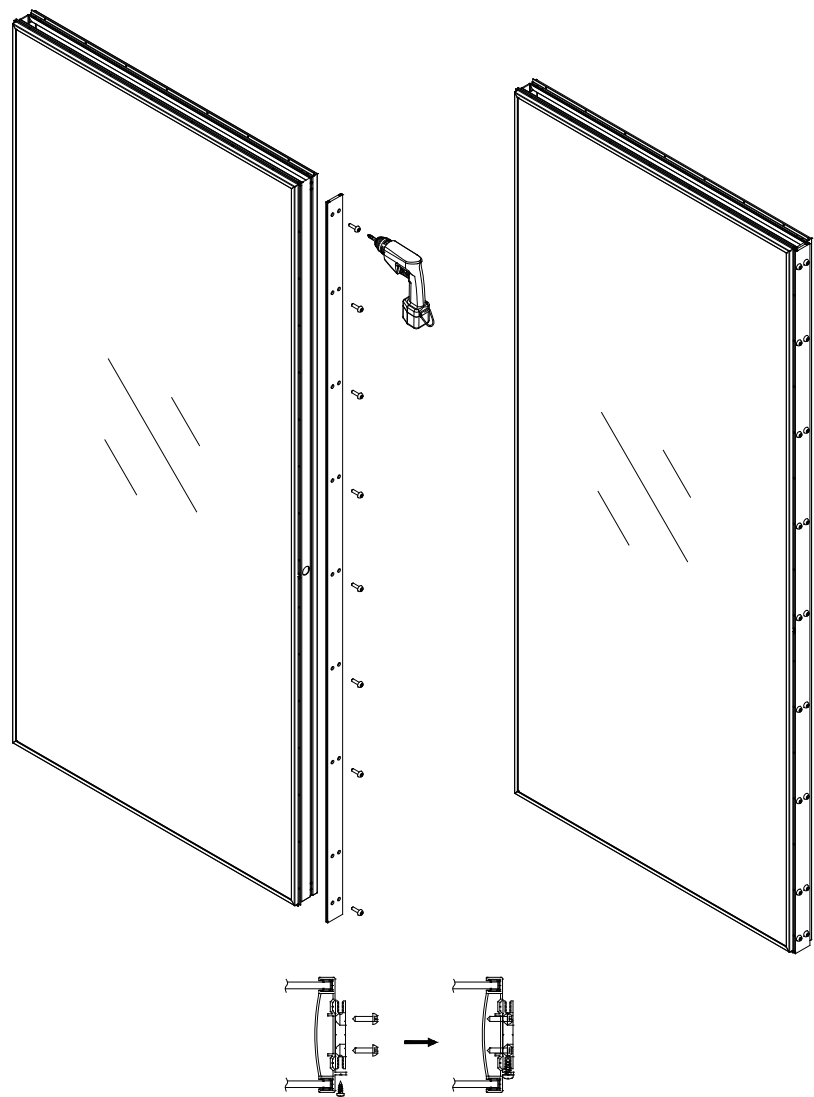
Section A2



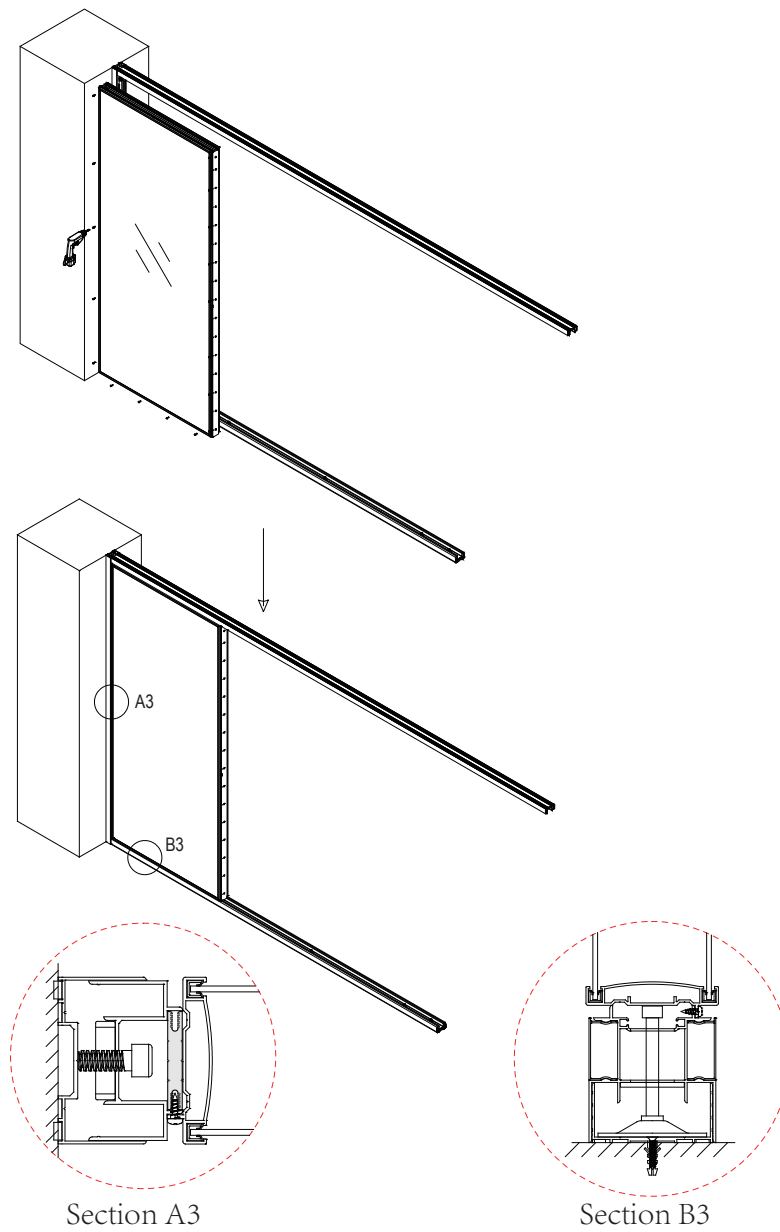
Section B2

**3.5** Vertical panels connection

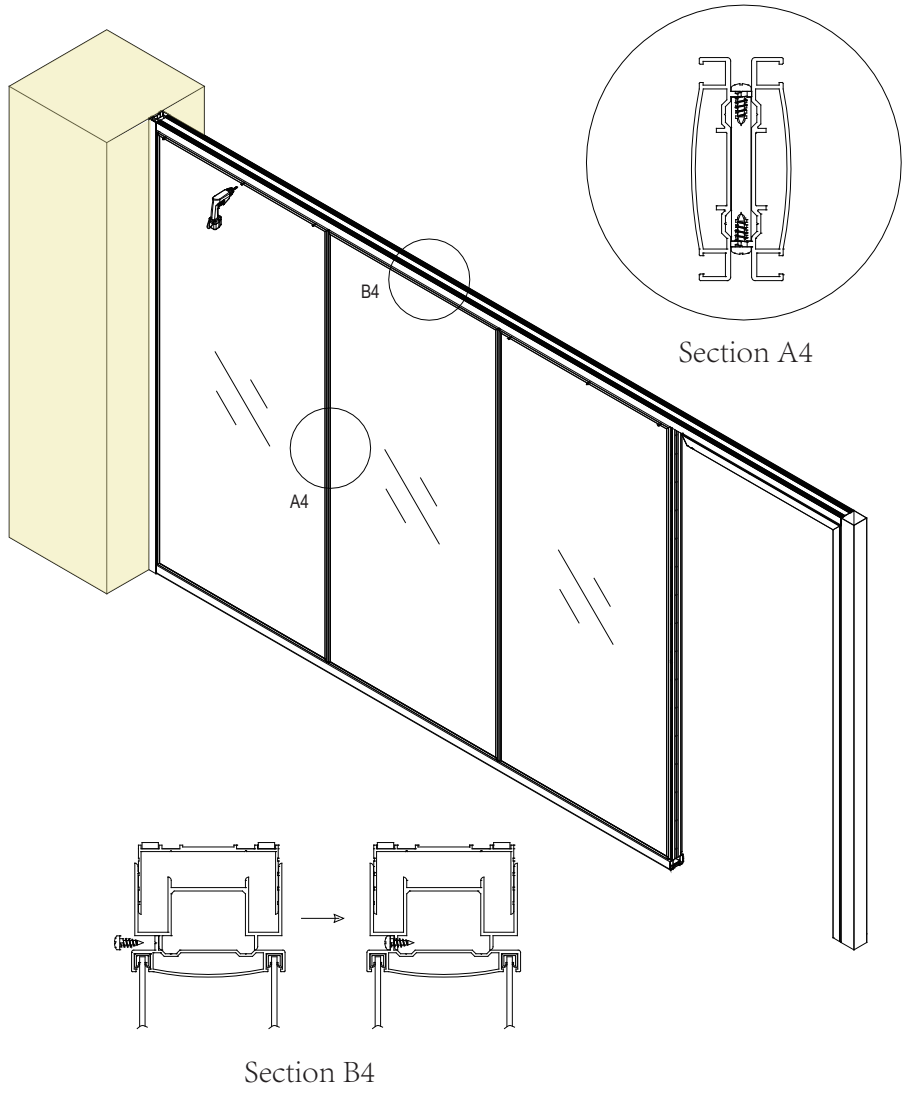
1



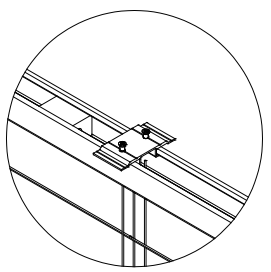
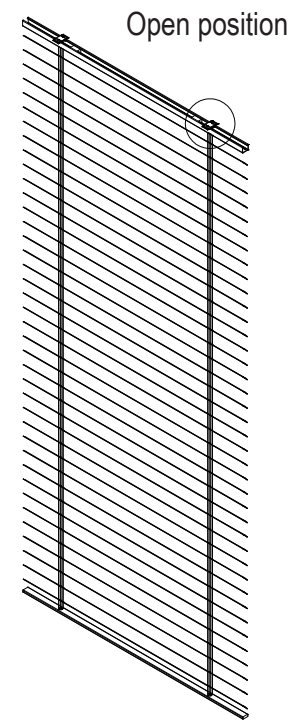
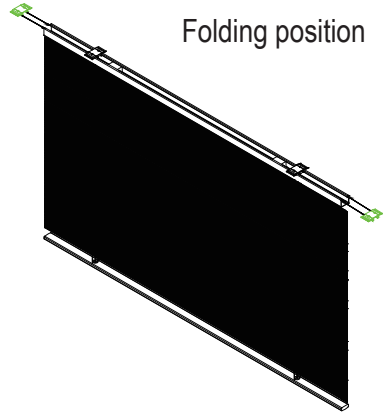
2



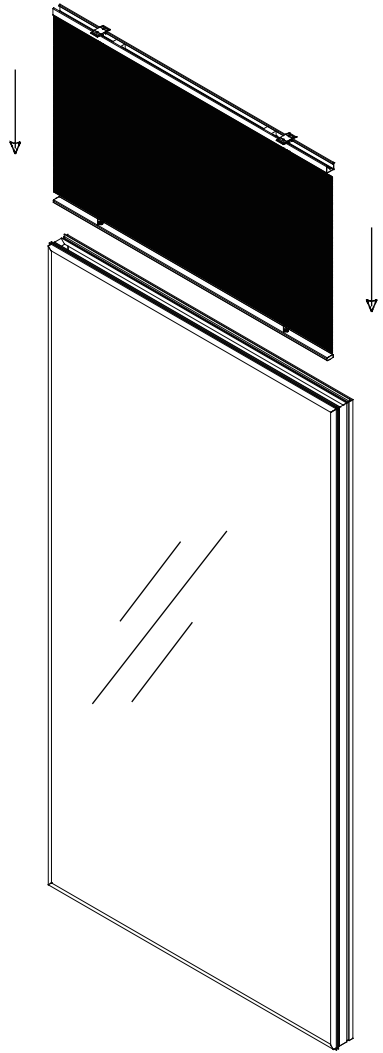
3



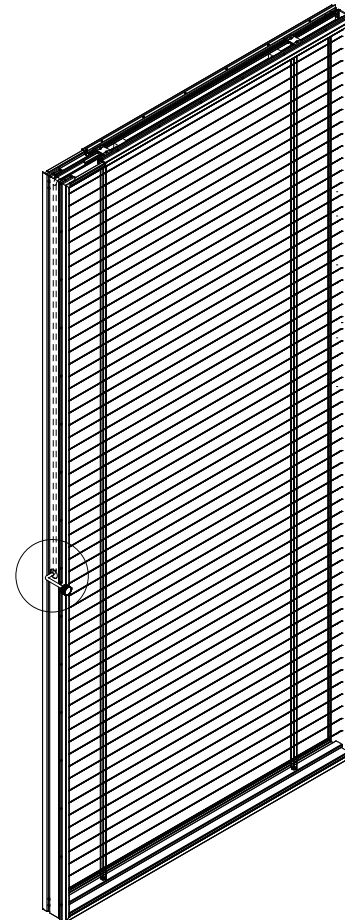
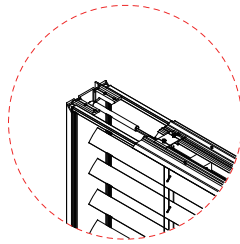
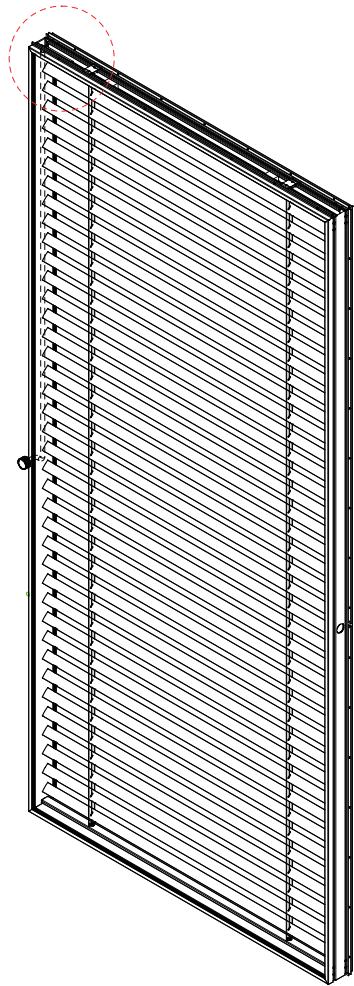
1



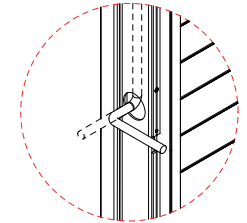
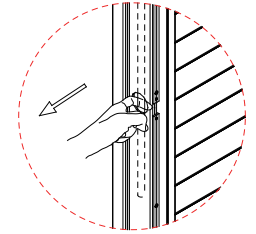
2



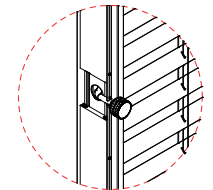
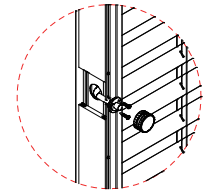
3



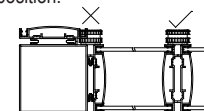
Controlled wire :



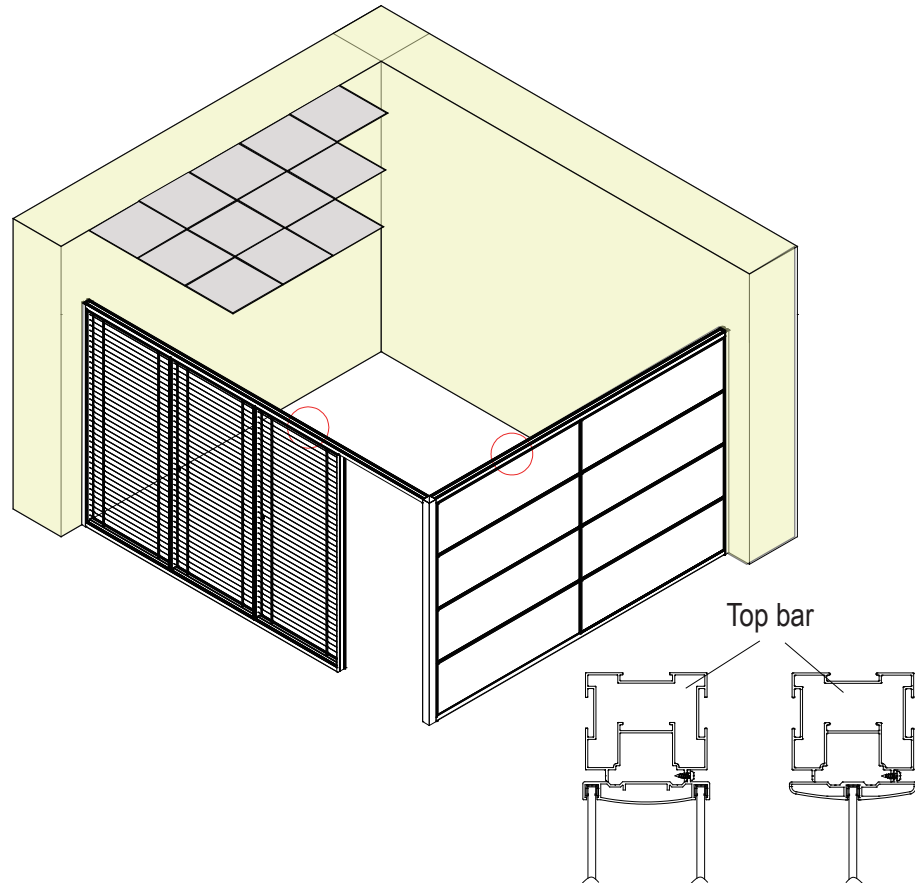
Controller:



Note: Controller should not be fixed at the corner position.



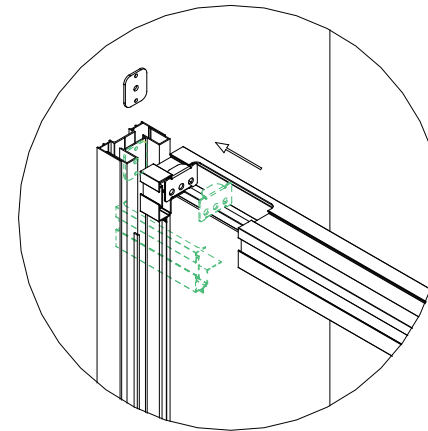
Typical 2: Partitions not up to ceiling



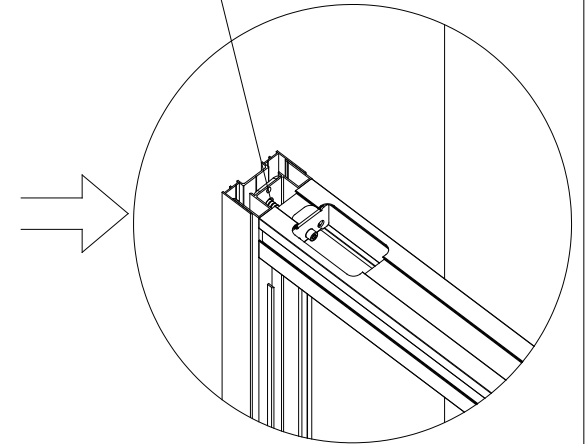
Note:

1. The only difference is to use top bar instead of ceiling connection when the partitions are not up to ceiling.
2. Fix the bottom connection, then fix the first panel, then fix the top bar, finally fix the panels one by one.

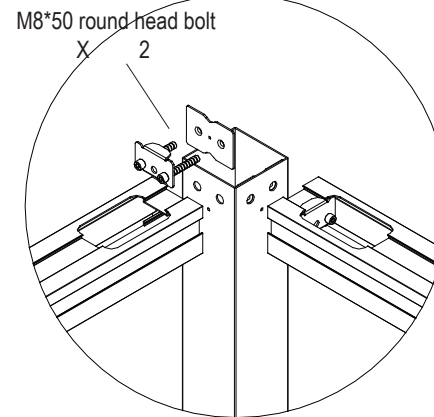
① Connection between top bar and wall starter



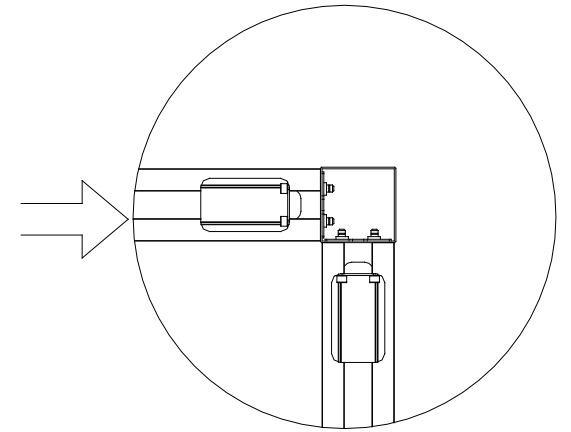
M8\*60 round head bolt  
X 1



② Connection between top bar and corner pole

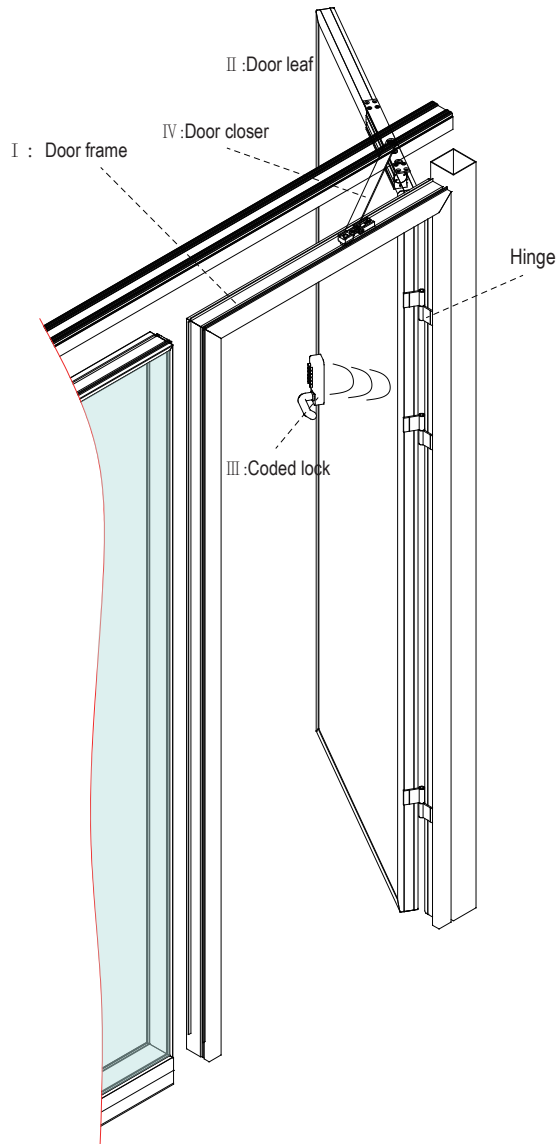


M8\*50 round head bolt  
X 2



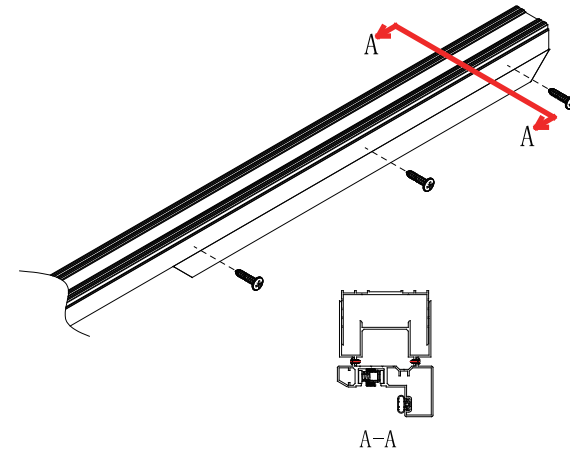
# 4 Door Illustration

## 4.1 Wood swing door illustration

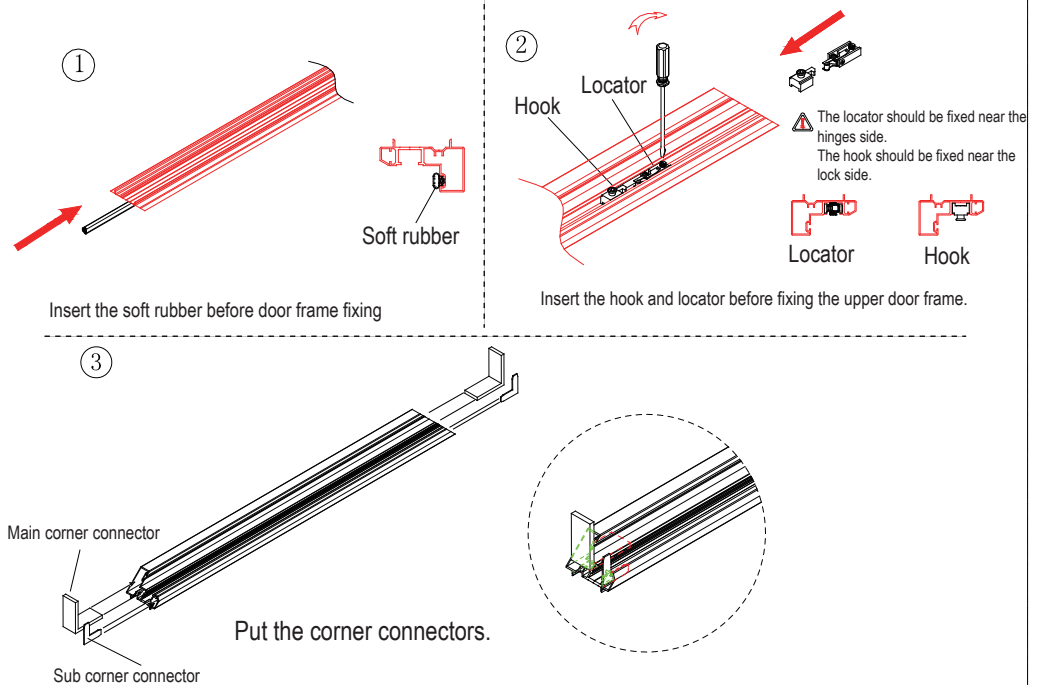


## I: Door frame installation

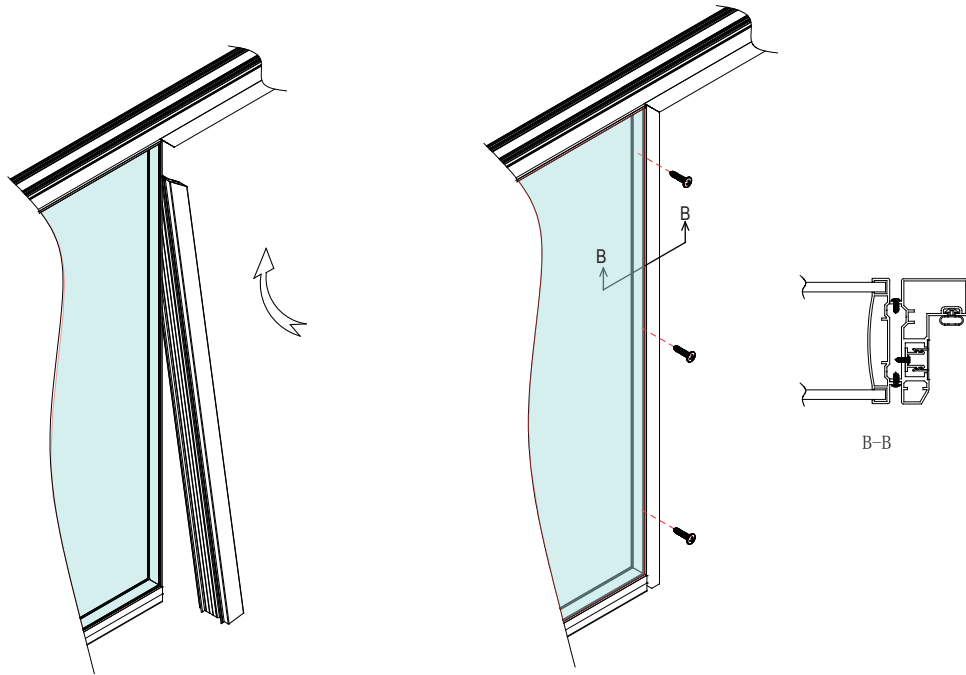
### Step 1: Up door frame installation



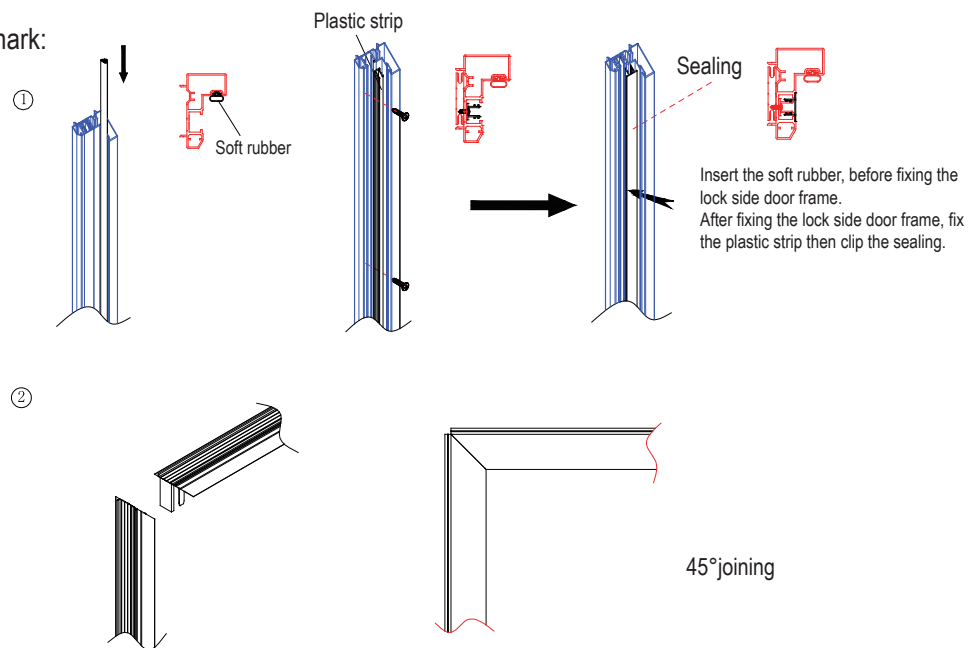
### Remark:



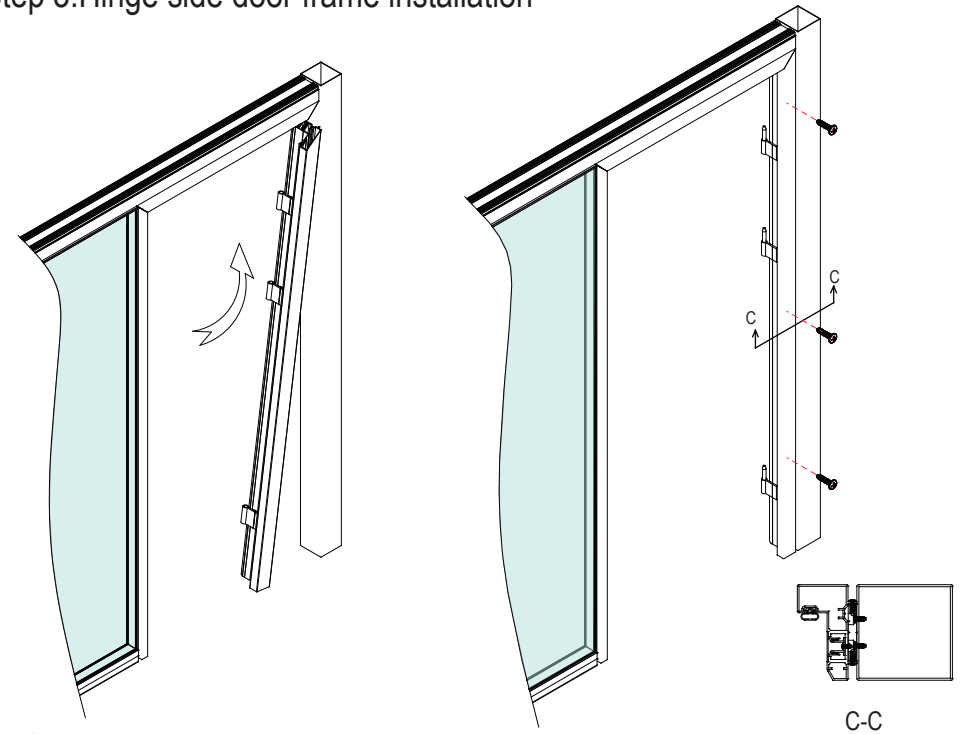
## Step 2: Lock side door frame installation



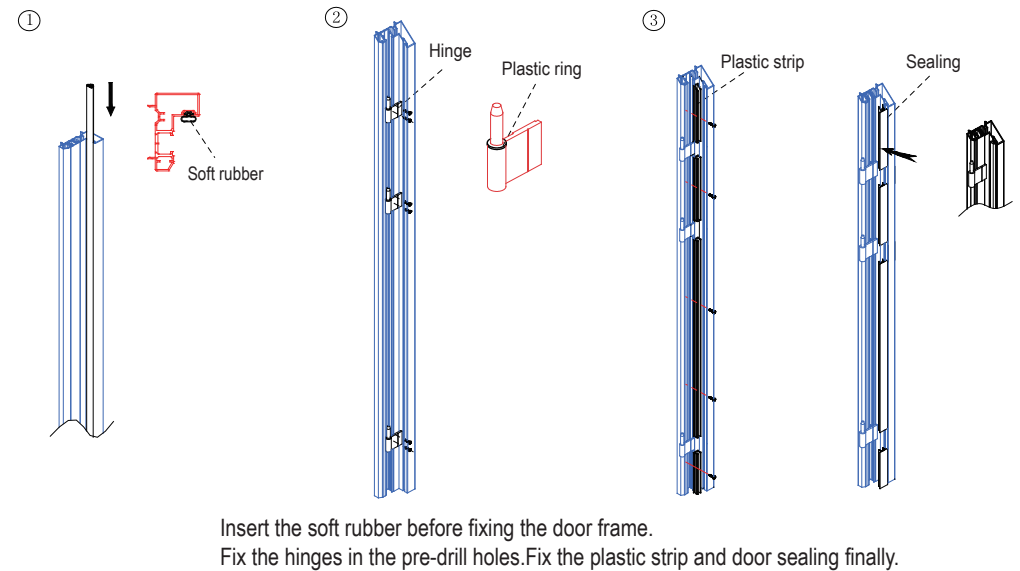
Remark:



## Step 3: Hinge side door frame installation

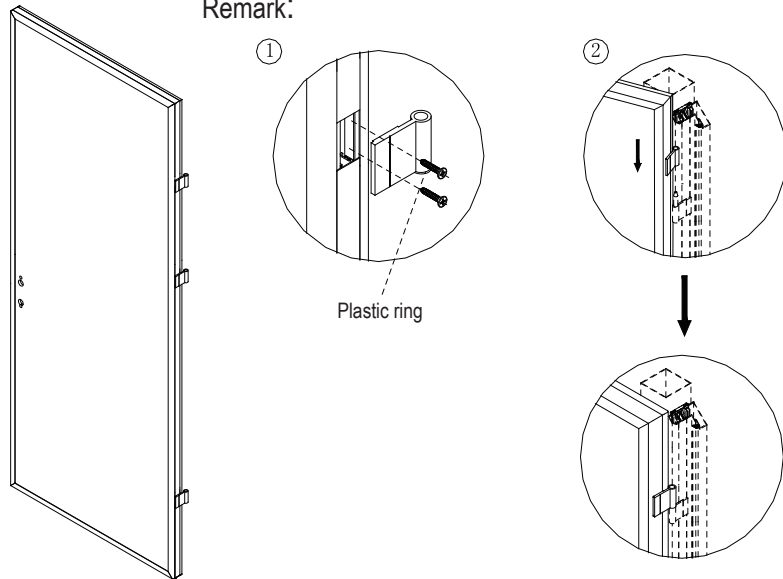


Remark:



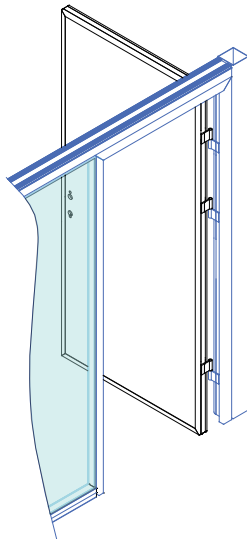
## II : Door leaf installation

Remark:



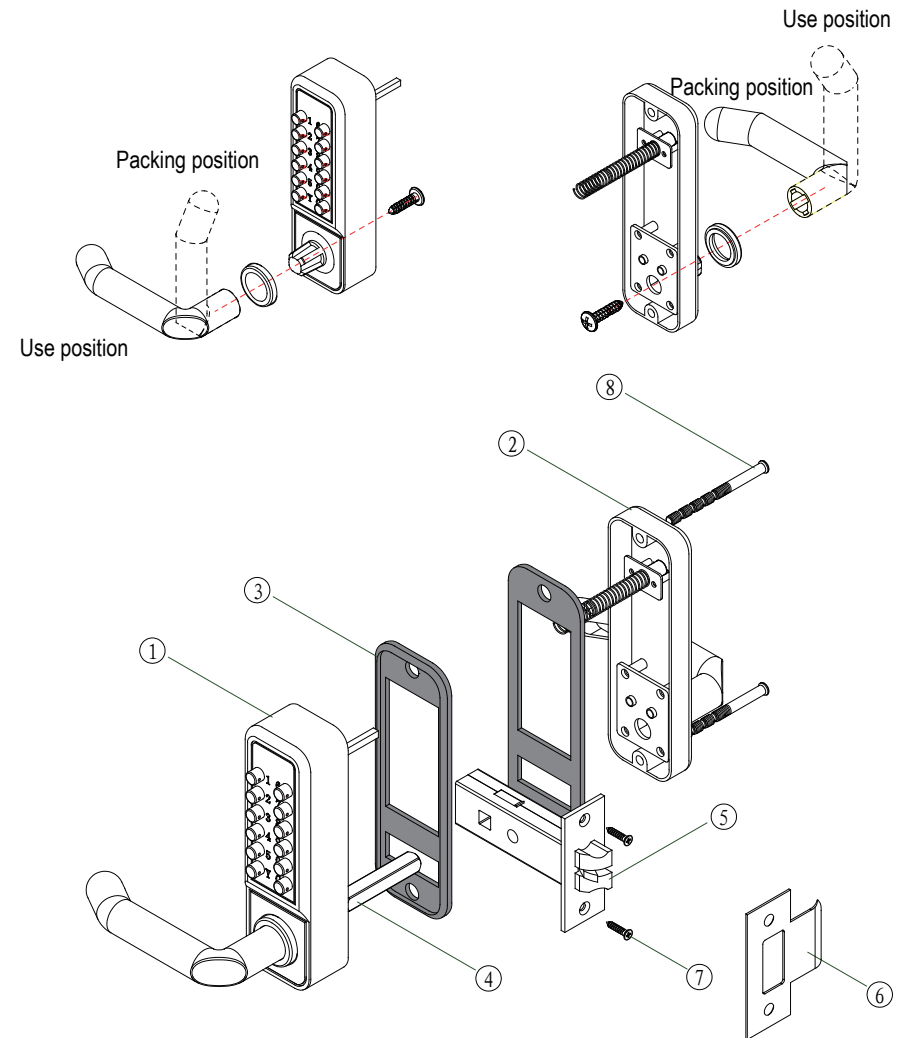
Join the two hinges together to fix the door leaf.

Image :

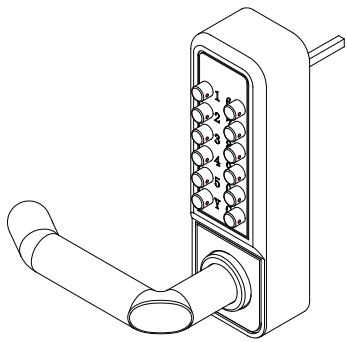


## III : Coded lock installation

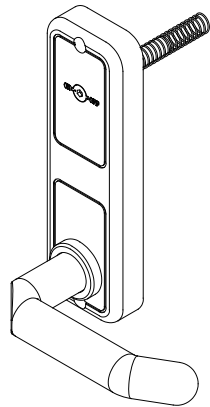
Coded lock break-down :



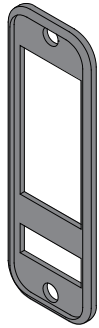
Components list:



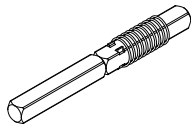
1: External lock



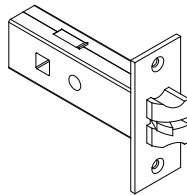
2: Internal lock



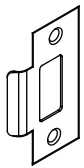
× 2  
3: Plastic mat



4: Axis



5: Strike plate



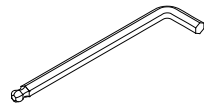
6: Stopper



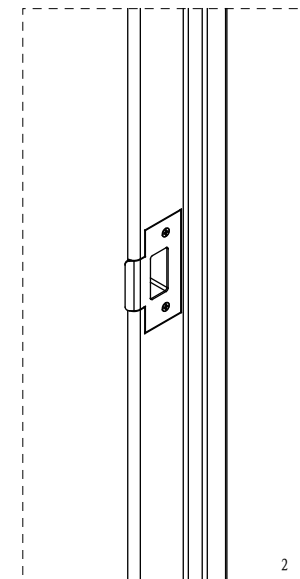
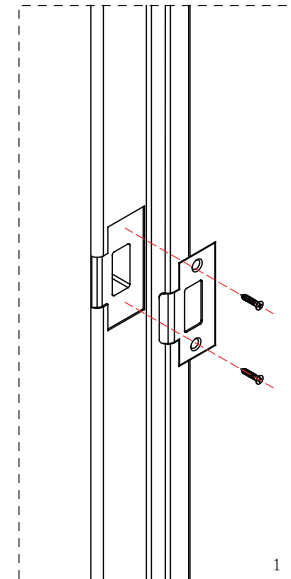
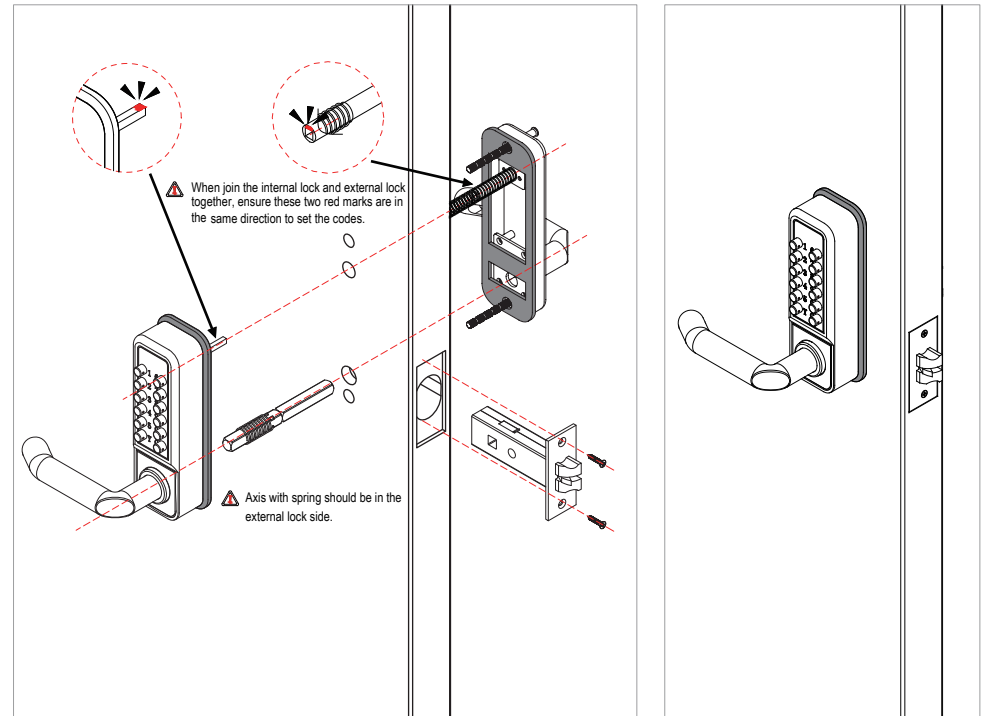
× 4  
7: Self-tapping screw



× 2  
8: Long screw

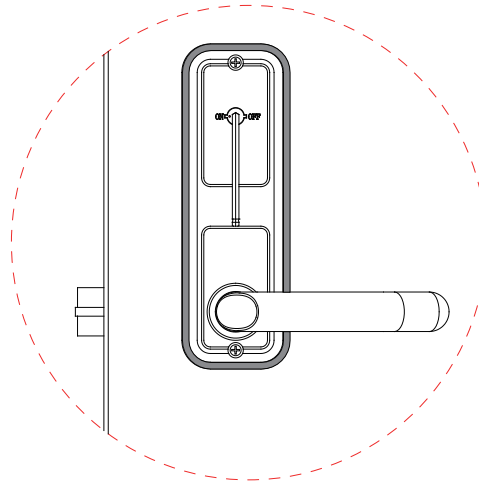
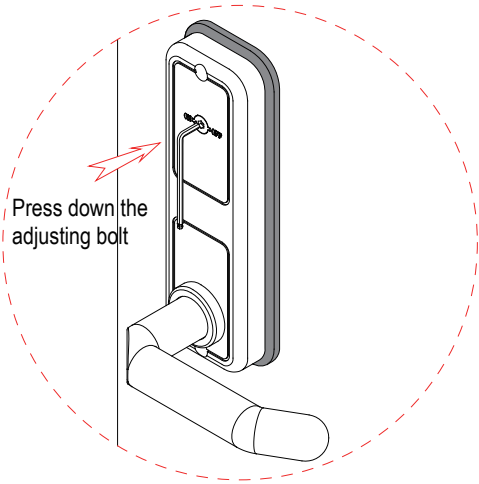


CRV-3mm  
9: Allen key

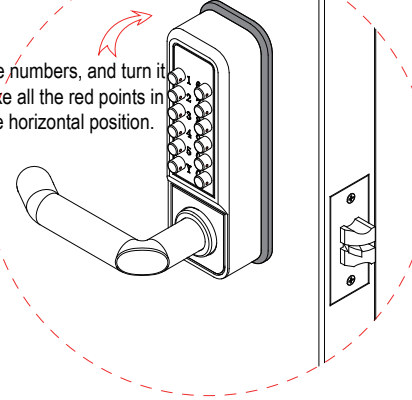


# How to set the codes for the coded lock?

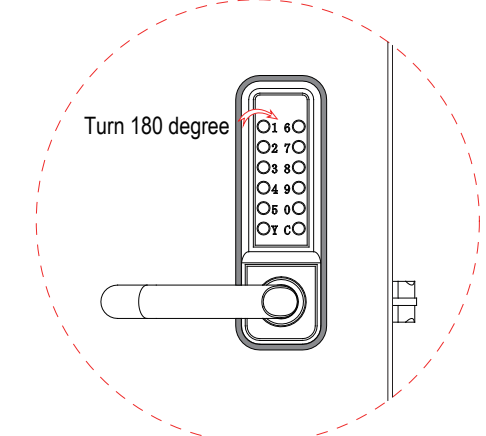
Step 1:



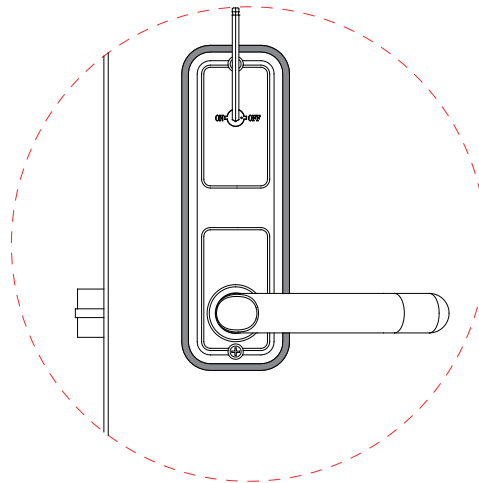
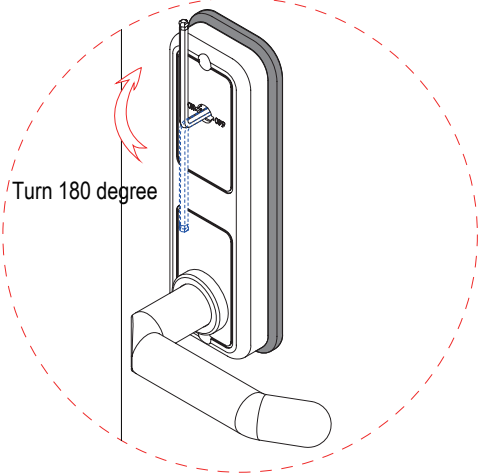
Select the numbers, and turn it 180°, make all the red points in the same horizontal position.



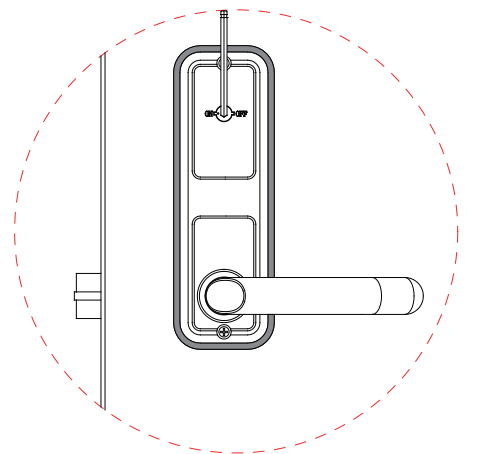
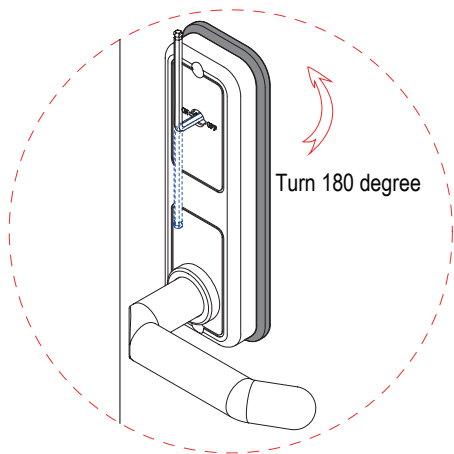
Turn 180 degree



Step 2:

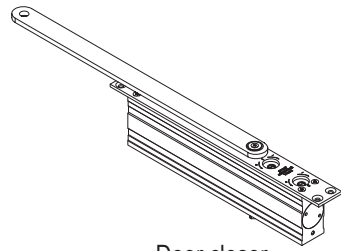
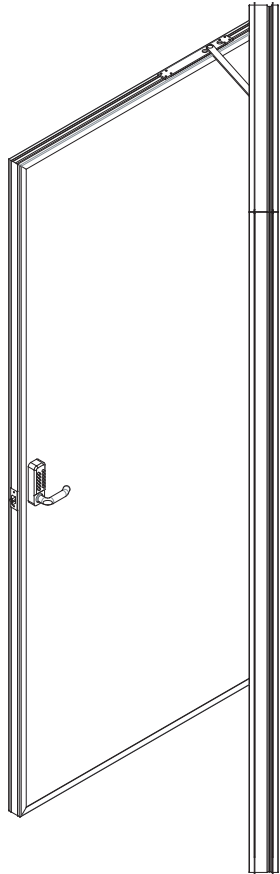


Step 4:



# IV:Door closer installation

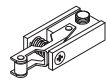
Components list:



Door closer  
X 1



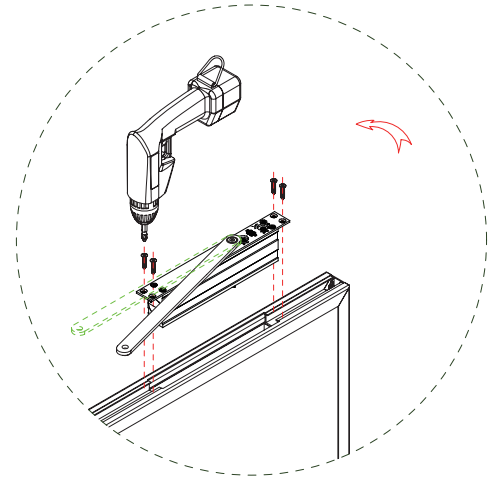
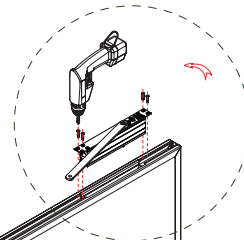
Hook  
X 1



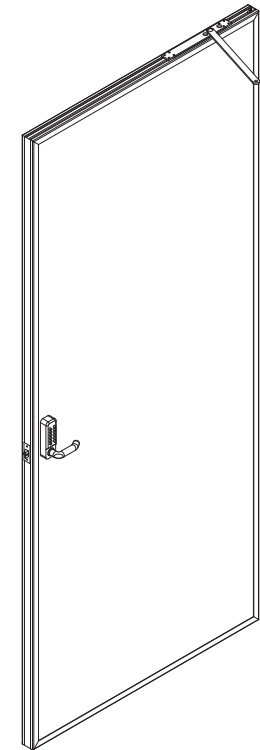
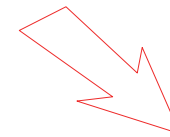
Locator  
X 1



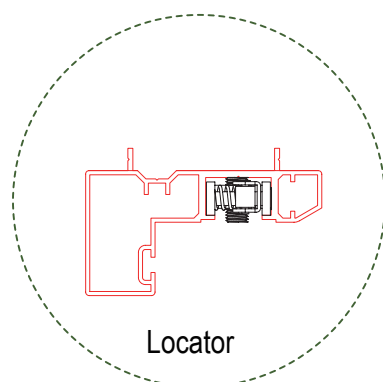
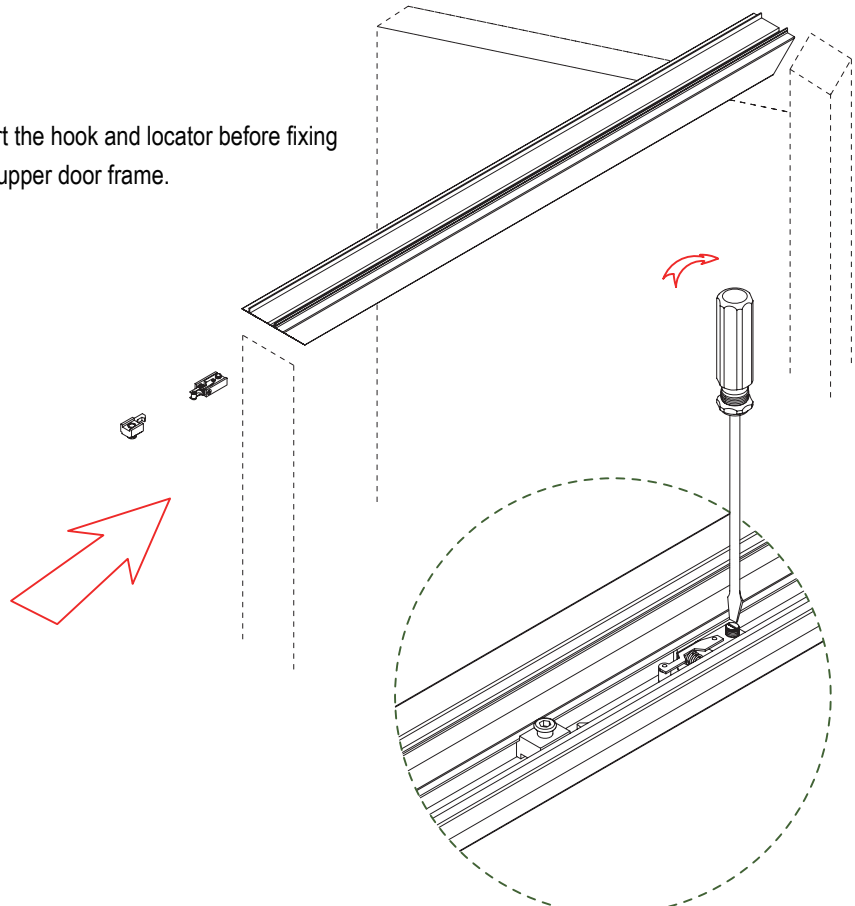
screw  
X 4



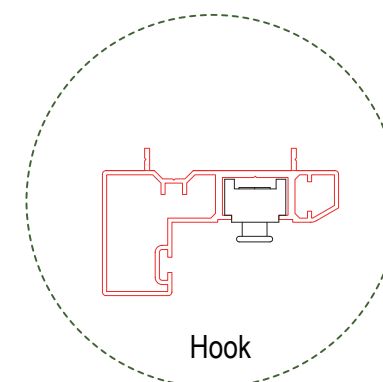
Fix the door closer with the door leaf



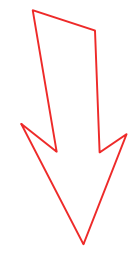
Insert the hook and locator before fixing the upper door frame.



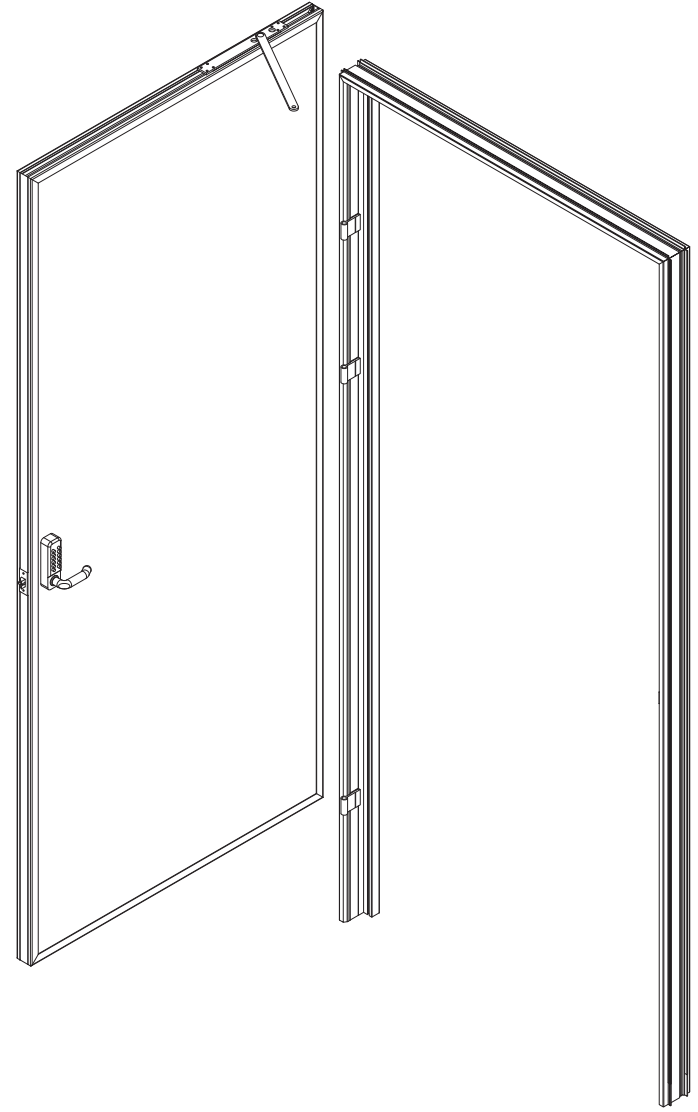
Locator

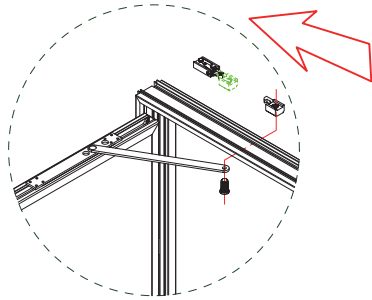
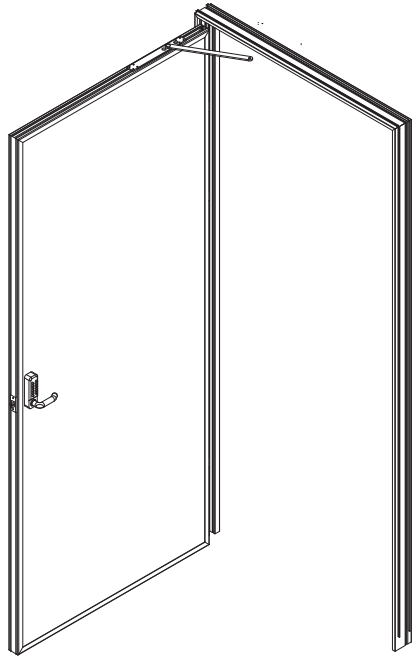


Hook

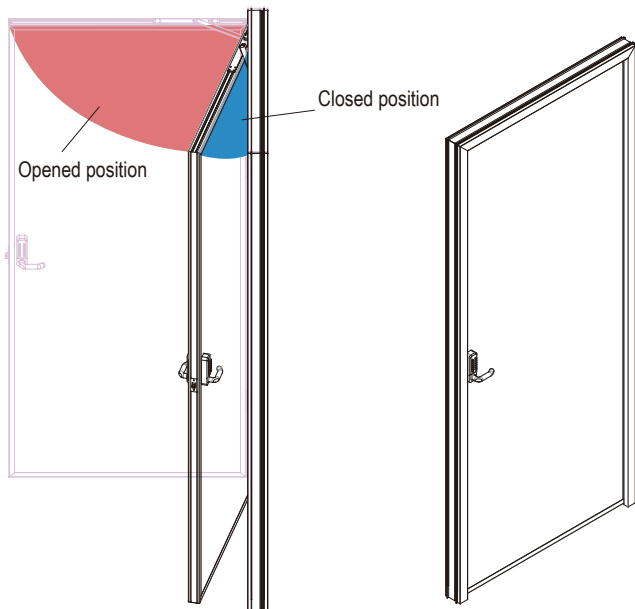


Uplift the door leaf, and join the hinges together

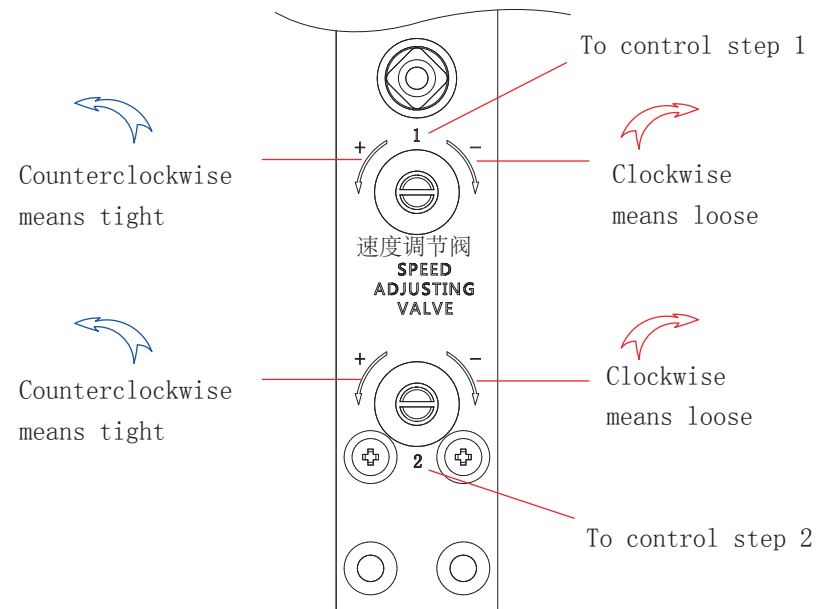
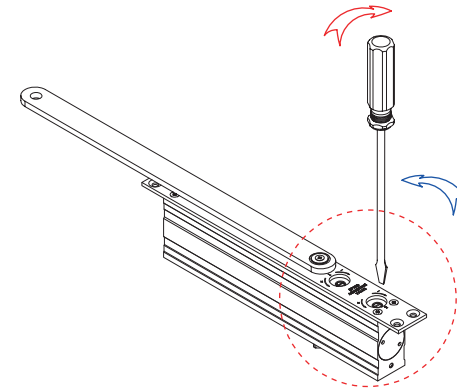




Loose the screw, fix the bracket with the hook.

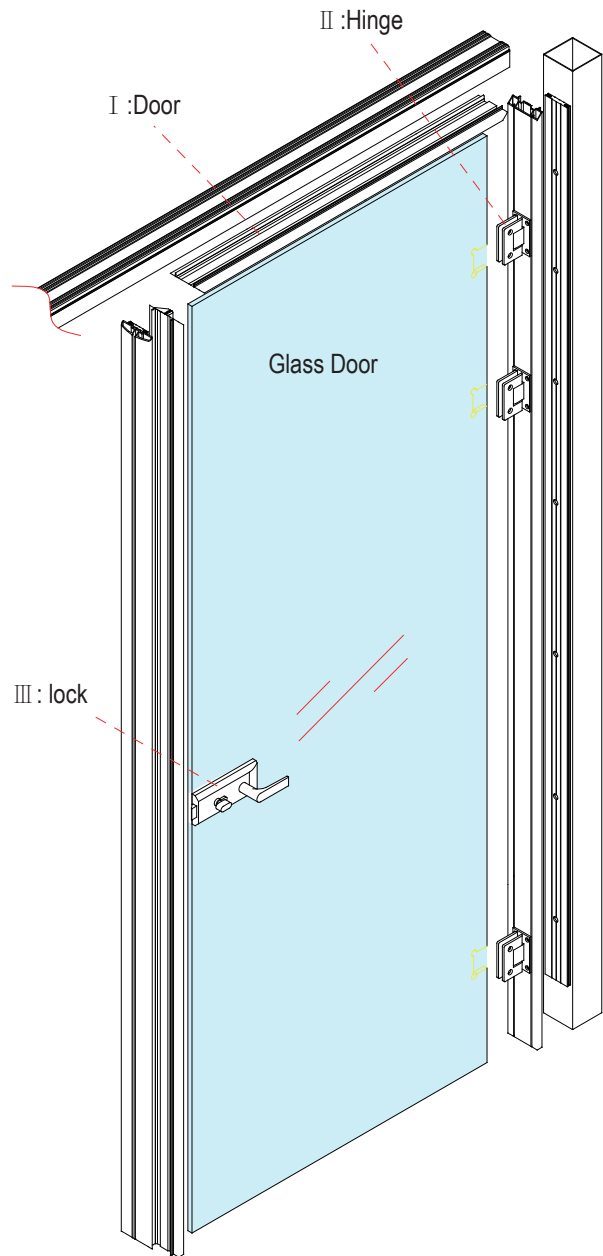


## How to adjust the door closer?



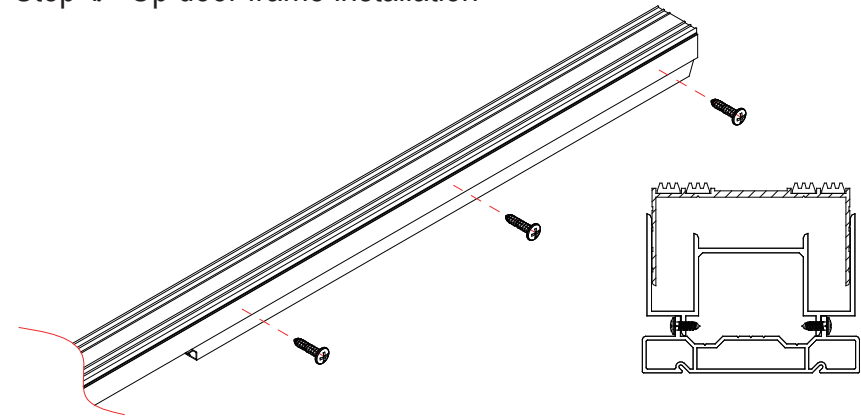
Please do careful when adjuste the screw, the Hydraulic oil may leakage if you adjuste too much !

4.2 Glass swing door illustration

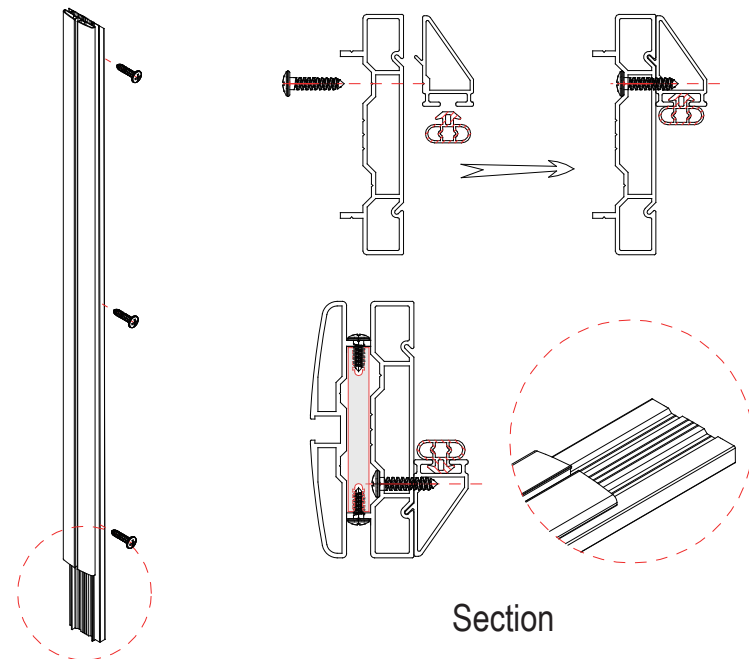


I : Door frame installation

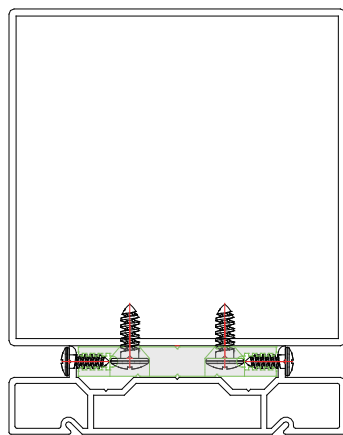
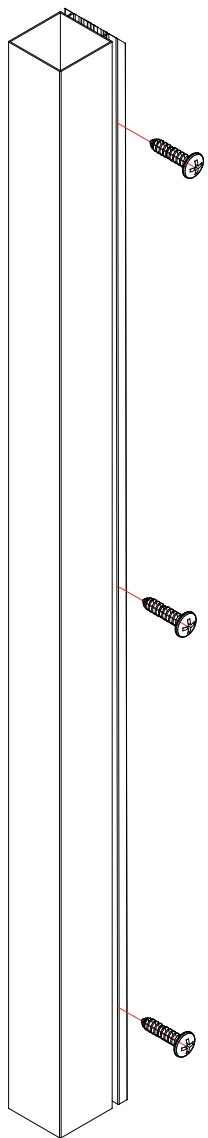
Step 1: Up door frame installation



Step 2: Lock side door frame installation

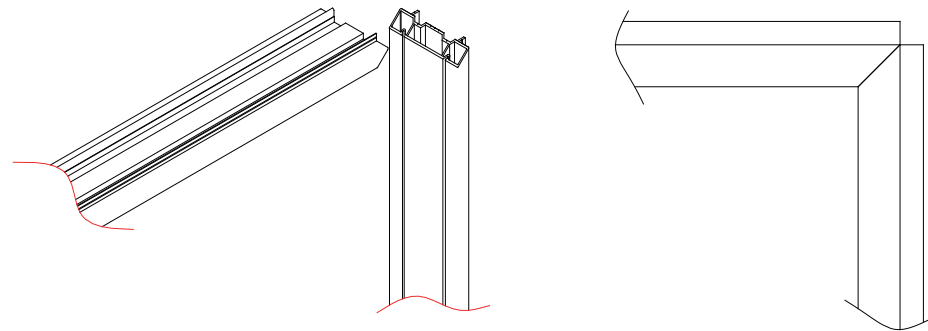


### Step 3:Hinge side door frame installation

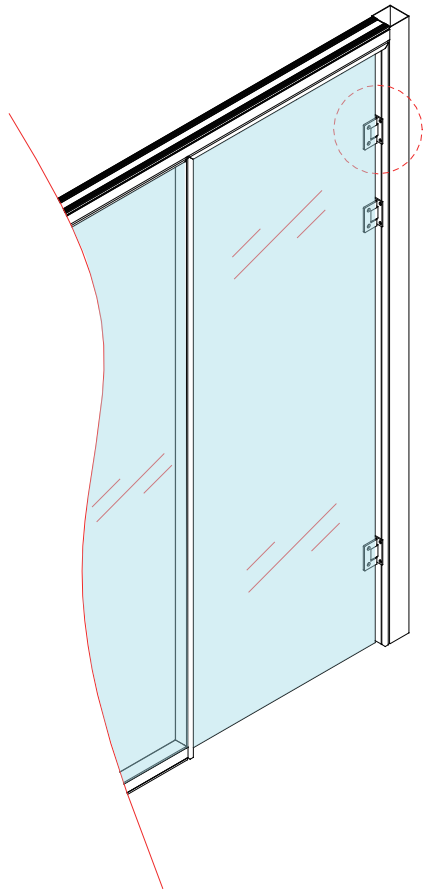


Section

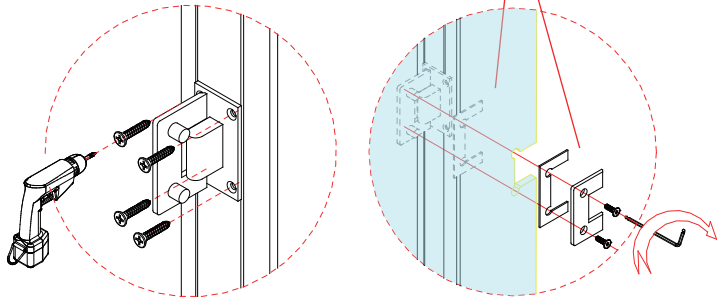
### 45°joining:



## II: Hinge installation

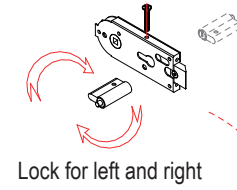
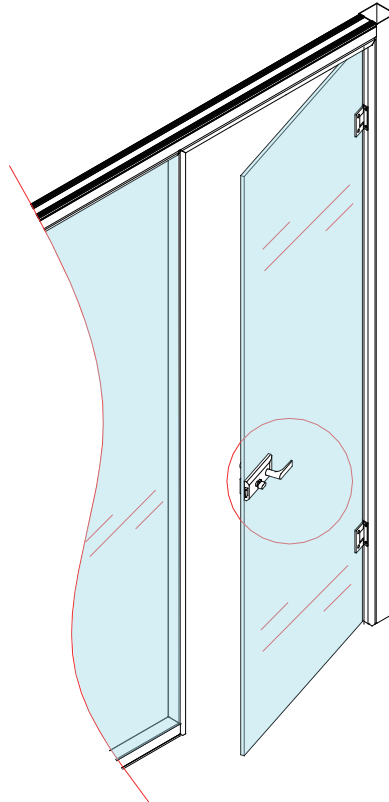


plastic mat (inside and outside)

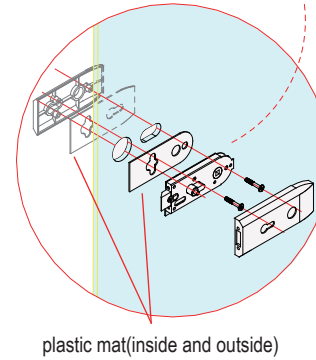


## III: Lock installation

Step 1: Lock body installation

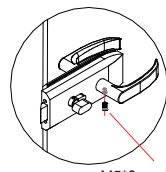


Lock for left and right

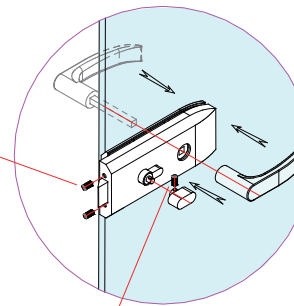
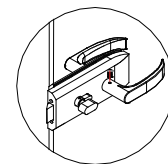


plastic mat (inside and outside)

M5\*8 positioner screw  
X 2

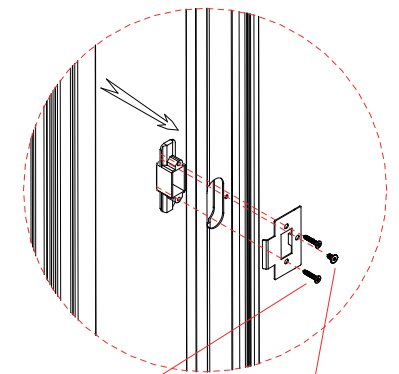
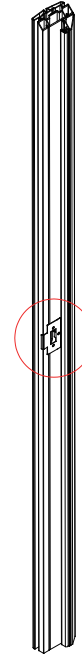


M5\*8 positioner screw  
X 1



M5\*6 positioner screw  
X 1

Step 2: Lock mat installation

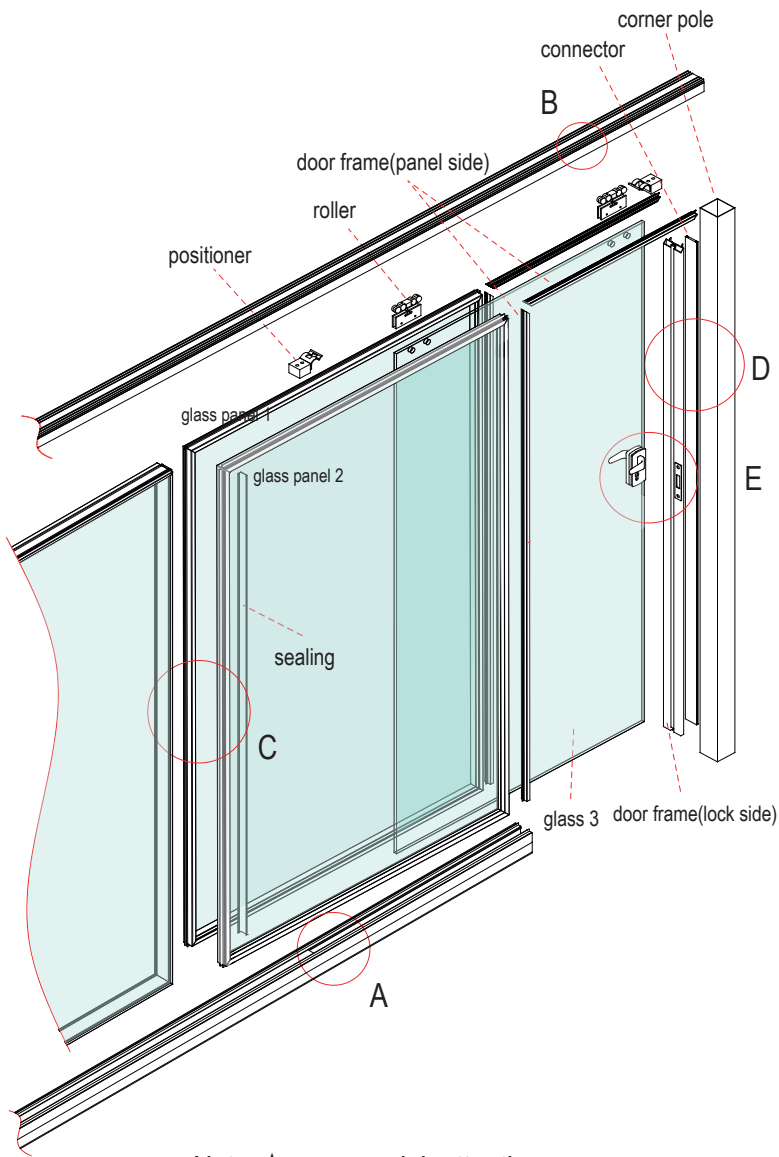


M4x16 counter sunk  
self-tapping screw  
X 2

M4x5 counter sunk screw  
X 1

4.3

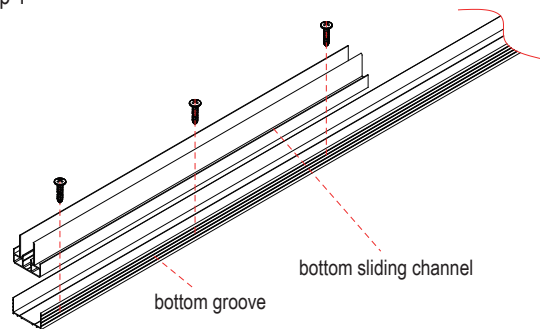
Glass sliding door illustration



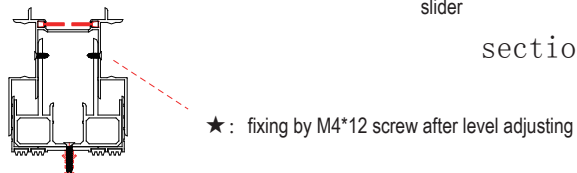
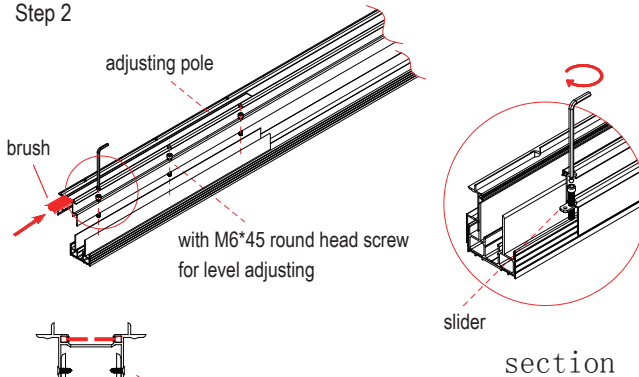
Note: ★ pay special attention

A bottom channel assembling

Step 1

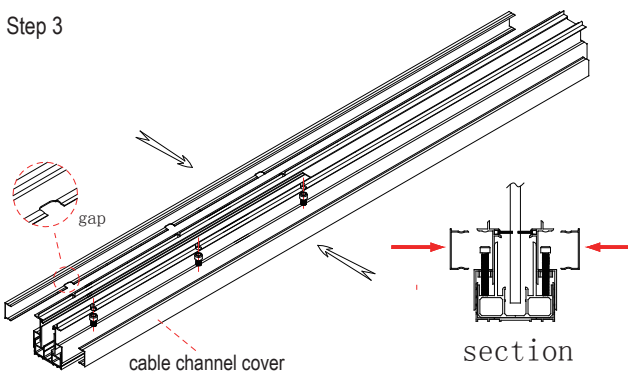


Step 2

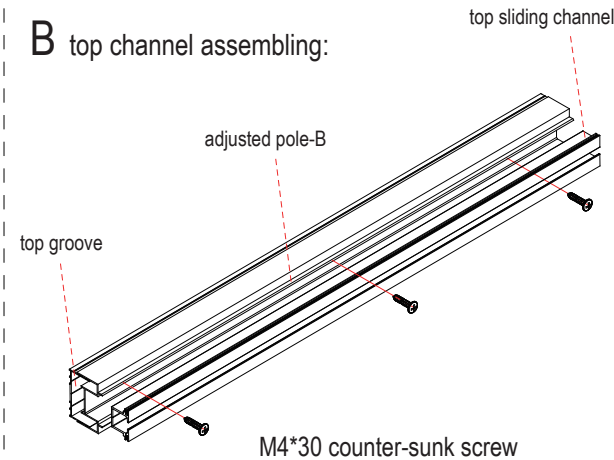


M4\*30 counter-sunk screw with plastic insert

Step 3

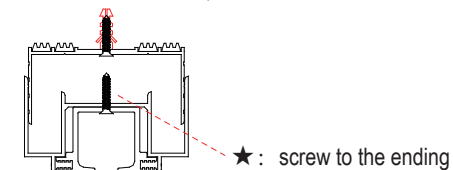


B top channel assembling:



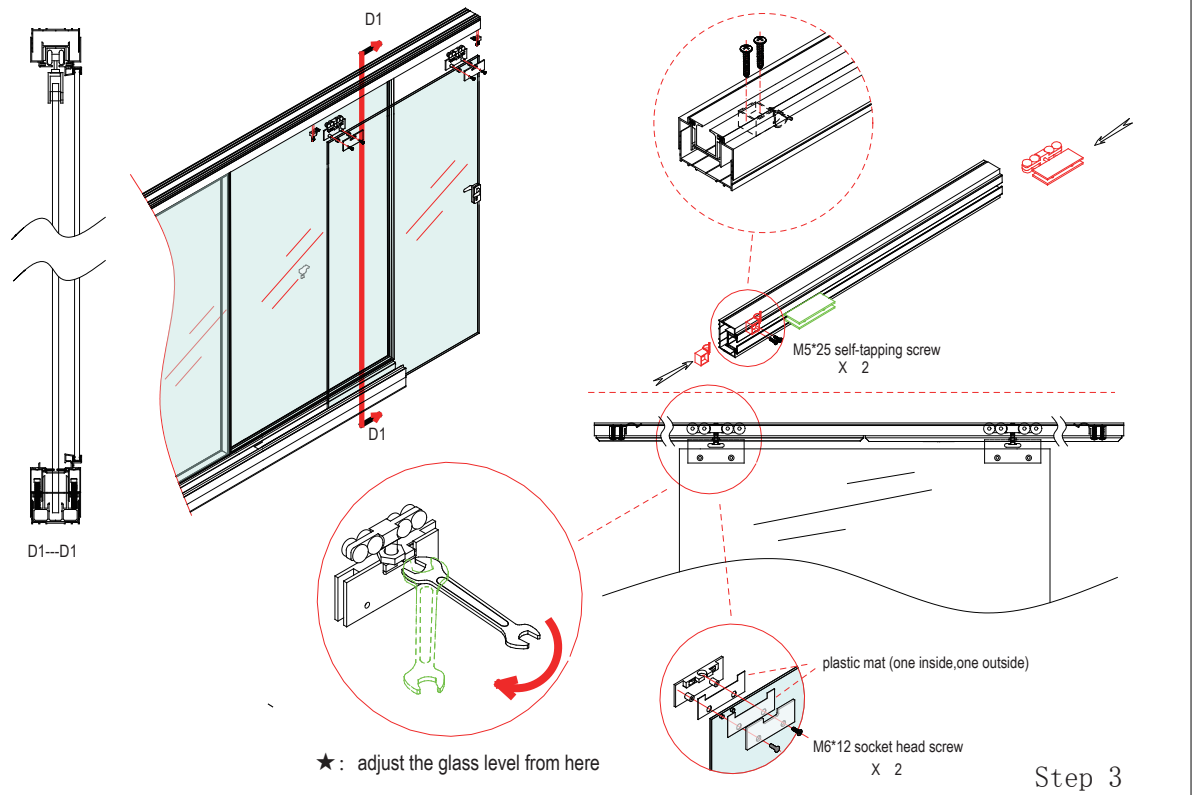
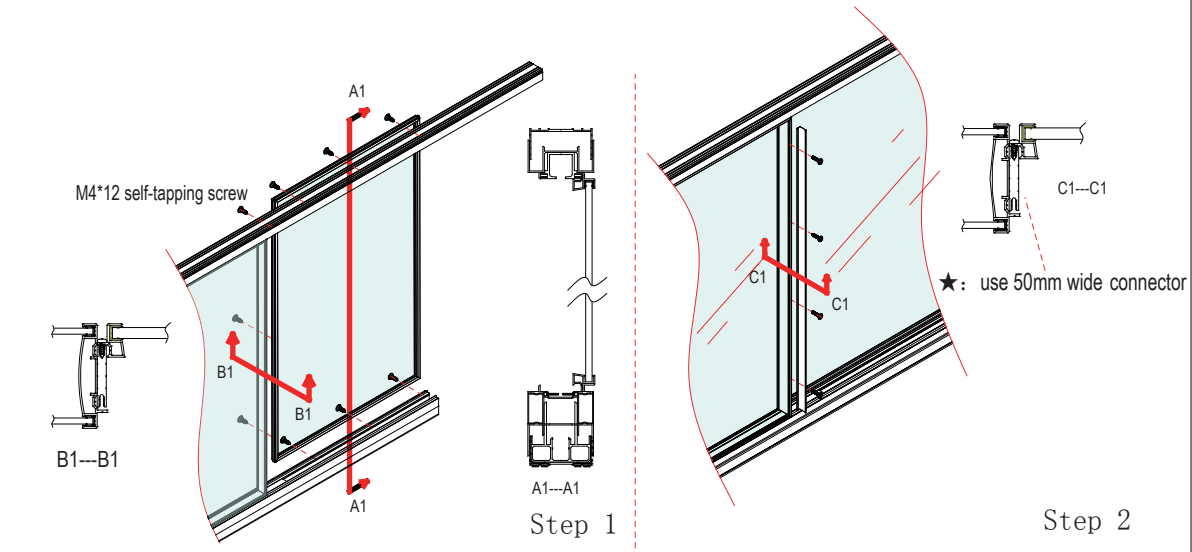
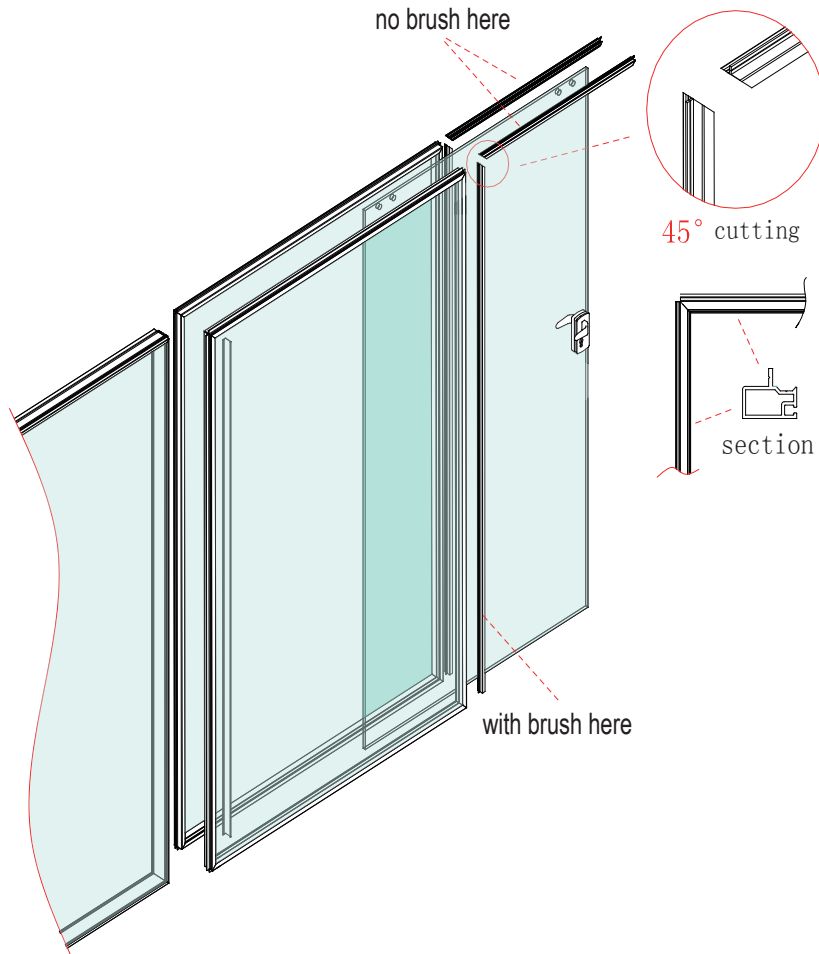
M4\*30 counter-sunk screw

M4\*30 counter-sunk screw with plastic insert

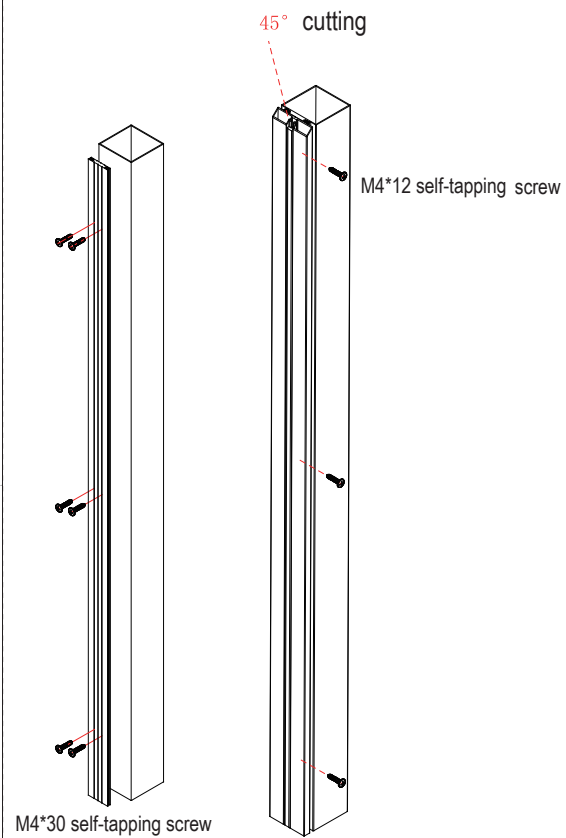


section

C Door frame assembling:



D: right door frame assembling:



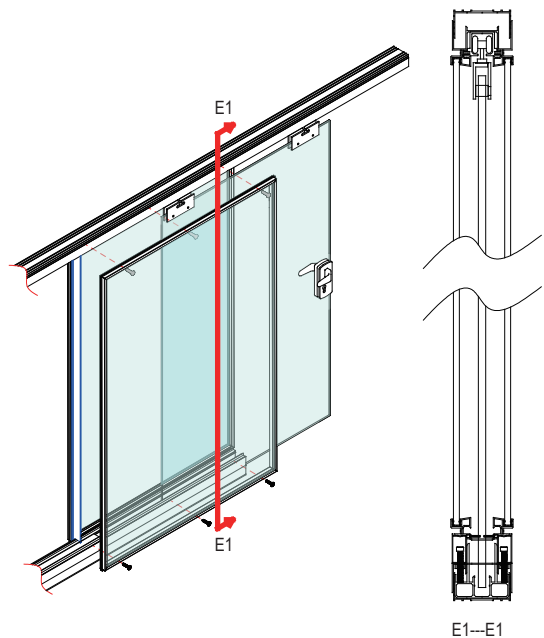
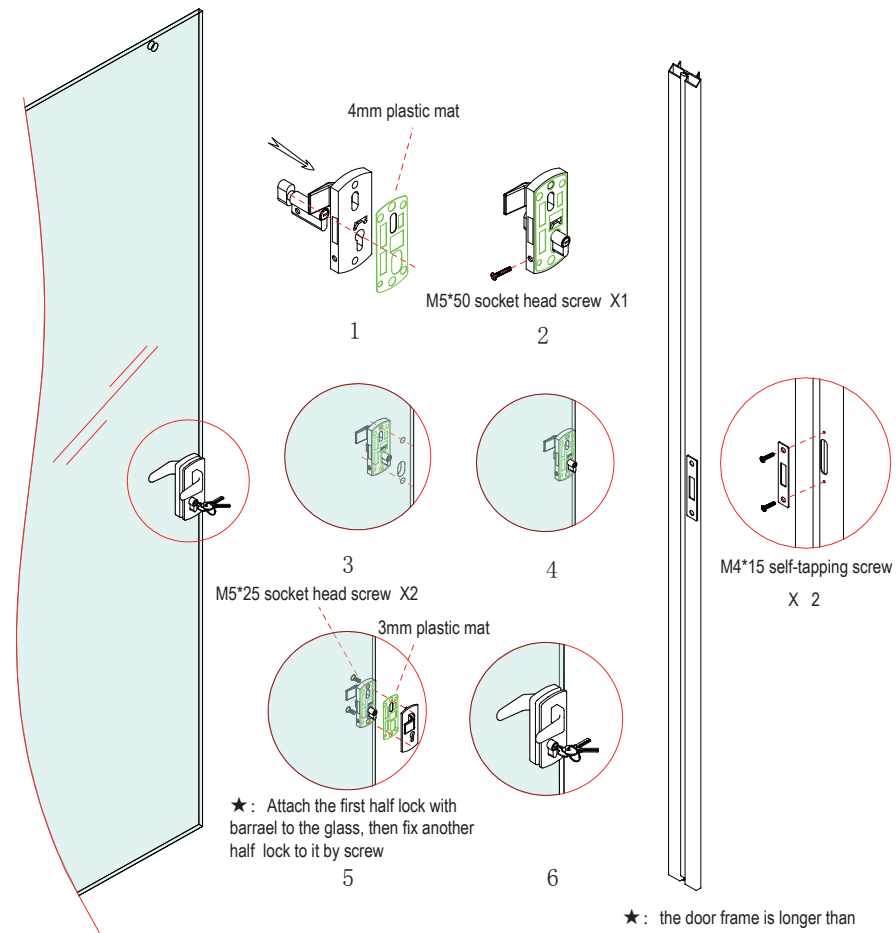
★ : connection pole is longer than requirement cut it into right size accordingly

Cushion plastic

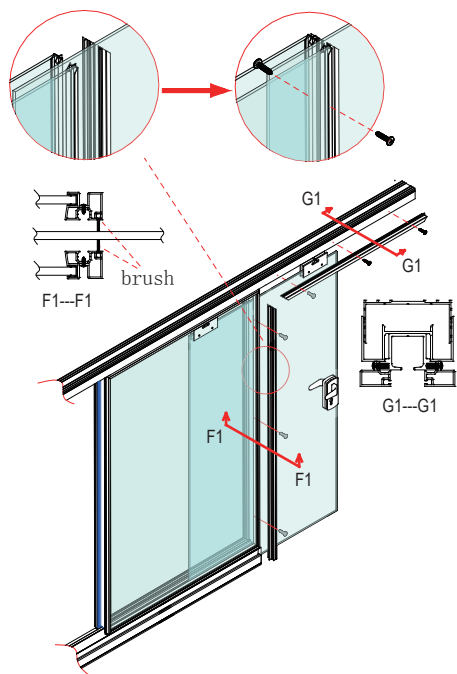
section

E: Lock assembling

Locking tab assembling :



Step 4



Step 5